

CHOOSE THE PRO-PAL® SOLUTION FOR LIFE!

Choosing the PRO-PAL® series of valves is the best choice for cost, efficiency, operation and function. Check the quality and compare them with traditional methods of building a plumbing system. You will find that there is no comparison for the PRO-PAL® Series valves. These valves are so innovative that they even come with peace of mind built-in because every Webstone product is covered by the Web Warranty. Simply stated; our products are guaranteed for life or we will replace them free of charge. Choosing Webstone products for all of your Plumbing needs is the smartest decision you will ever make. So instead of just building your next piping system, why not innovate it with Webstone PRO-PAL® Series Valves.

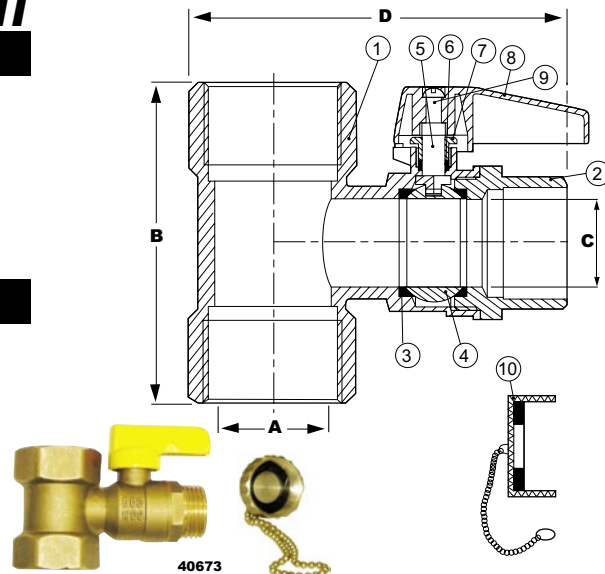


FORGED BRASS TEES WITH HI-FLOW BALL VALVE DRAIN (600WOG / 150 ISP)

IPS X HOSE 40672-40677

ITEM	SIZE	CTN/CS	A	B	C	D
40672	1/2	10/80	1/2	1 15/16	3/8	2 3/4
40673	3/4	8/48	3/4	2 15/16	1/2	3 1/16
40674	1	8/48	1	2 5/16	1/2	3 5/16
40675	1 1/4	6/24	1 1/4	2 7/8	3/4	4
40676	1 1/2	4/24	1 1/2	2 7/8	3/4	4 5/16
40677	2	2/20	2	3	3/4	4 3/4

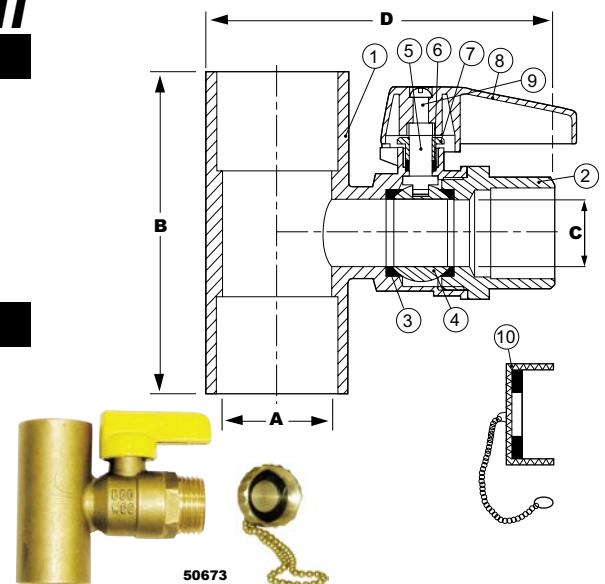
No.	Description	Quantity	Material
1.	BODY	1	FORGED BRASS (ASTM B283-C37700)
2.	CAP	1	FORGED BRASS (ASTM B283-C37700)
3.	SEATS	2	TEFLON® (PTFE)
4.	BALL	1	BRASS/HARD CHROME PLATE
5.	STEM	1	BRASS (ASTM B124-C37700)
6.	STEM SEAL	1	TEFLON® (PTFE)
7.	PACKING GLAND	1	BRASS (ASTM B124-C37700)
8.	LEVER HANDLE	1	ZINC w/EPOXY COATING
9.	HANDLE SCREW	1	BRASS (ASTM B124-C37700)
10.	CAP+CHAIN	1	BRASS (ASTM B124-C37700) w/NBR HOSE WASHER



CXC X HOSE 50672-50677

ITEM	SIZE	CTN/CS	A	B	C	D
50672	1/2	10/80	1/2	2	3/8	2 5/8
50673	3/4	8/48	3/4	2 5/16	1/2	2 15/16
50674	1	8/48	1	2 7/8	1/2	3 1/8
50675	1 1/4	6/24	1 1/4	7/16	3/4	3 3/4
50676	1 1/2	4/24	1 1/2	3 7/16	3/4	4 1/16
50677	2	2/20	2	3 5/8	3/4	4 1/2

No.	Description	Quantity	Material
1.	BODY	1	FORGED BRASS (ASTM B283-C37700)
2.	CAP	1	FORGED BRASS (ASTM B283-C37700)
3.	SEATS	2	TEFLON® (PTFE)
4.	BALL	1	BRASS/HARD CHROME PLATE
5.	STEM	1	BRASS (ASTM B124-C37700)
6.	STEM SEAL	1	TEFLON® (PTFE)
7.	PACKING GLAND	1	BRASS (ASTM B124-C37700)
8.	LEVER HANDLE	1	ZINC w/EPOXY COATING
9.	HANDLE SCREW	1	BRASS (ASTM B124-C37700)
10.	CAP+CHAIN	1	BRASS (ASTM B124-C37700) w/NBR HOSE WASHER



INNOVATIVE SOLUTIONS FOR THE INDUSTRY PROFESSIONAL

THE PRO-PAL® LINE CAN IMPROVE THE QUALITY OF YOUR WORK BY...

- Eliminating leak paths in the system
- Shortening installation time
- Providing cleaner looking installations that are more functional
- Saving space in tight quarters with better flow performance
- Eliminating multiple fittings with reduced ports
- Combining ease of installation with a higher degree of quality in construction and function
- Versatile reversible handles
- Providing you with step saving valves that are GUARANTEED FOR LIFE!



PRO-PAL SERIES STEP-SAVING VALVES FOR THE PROFESSIONAL

PATENT PENDING

Dedicated to making the professionals' life easier.



Webstone

Company, Inc.

QUALITY COMMITMENT INNOVATION

QUALITY AND COMMITMENT TO TECHNOLOGY AND SERVICE SINCE 1954

PRO-PAL[®] SERIES

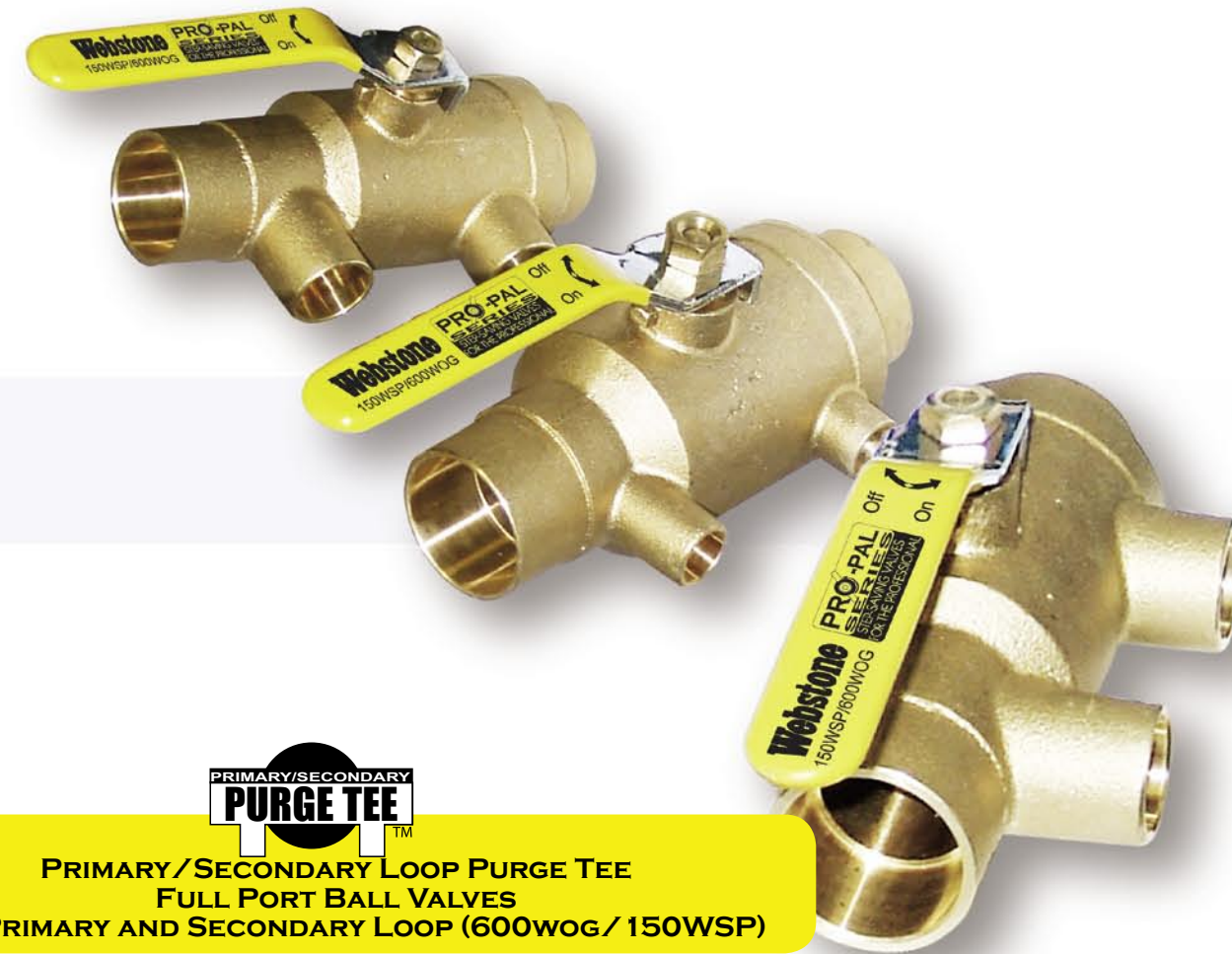
STEP-SAVING VALVES FOR THE PROFESSIONAL

PATENT PENDING

CREATE PROFESSIONAL LOOKING INSTALLATIONS WITH WEBSTONE'S PRO-PAL[®] SERIES VALVES

WHATEVER YOUR PROJECT, THERE IS A PRO-PAL[®] VALVE TO MAKE IT EASIER: PLUMBING SYSTEMS, HYDRONICS, RADIANT, IRRIGATION, AND INDUSTRIAL APPLICATIONS

Adding a PRO-PAL[®] valve will shorten installation time, save space, create less leak paths and make future servicing easier than ever before. Think about where you use tees, unions, drain ports, cleanouts or draw offs. Now add a Webstone PRO-PAL[®] valve in those areas and create a system that is better looking and more efficient than ever before.



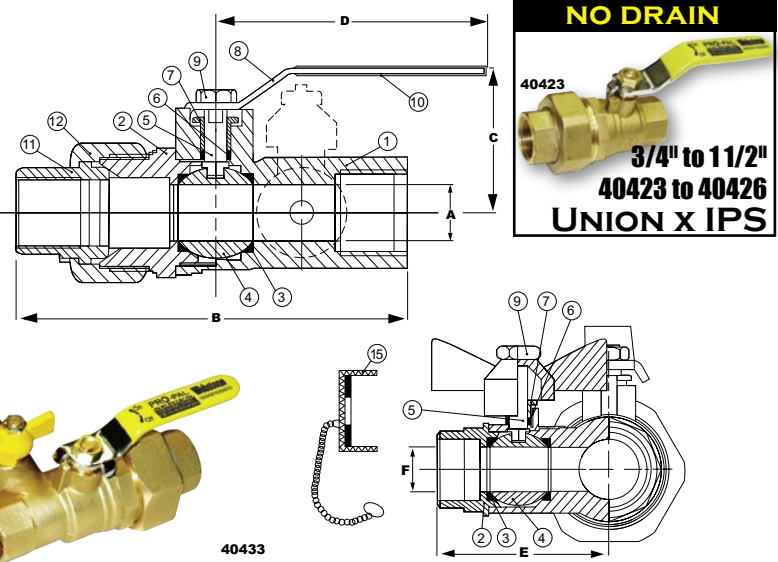
UNION BALL DRAIN

FULL PORT FORGED BRASS BALL VALVES WITH GROUND JOINT UNION CONNECTION AND HI-FLOW HOSE DRAIN REVERSIBLE HANDLE (600WOG/150WSP)

IPS UNION X IPS X HI-FLOW HOSE DRAIN 40433-40436

ITEM	SIZE	CTN/CS	A	B	C	D	E	F
40433	3/4	8/32	3/4	4 1/4	2 1/8	4	2 1/16	1/2
40434	1	6/24	1	4 7/8	2 3/8	4 11/16	2 1/2	1/2
40435	1 1/4	2/16	1 1/4	5 1/4	2 1/2	4 11/16	2 3/4	3/4
40436	1 1/2	2/16	1 1/2	5 5/8	2 7/8	5 3/8	3	3/4

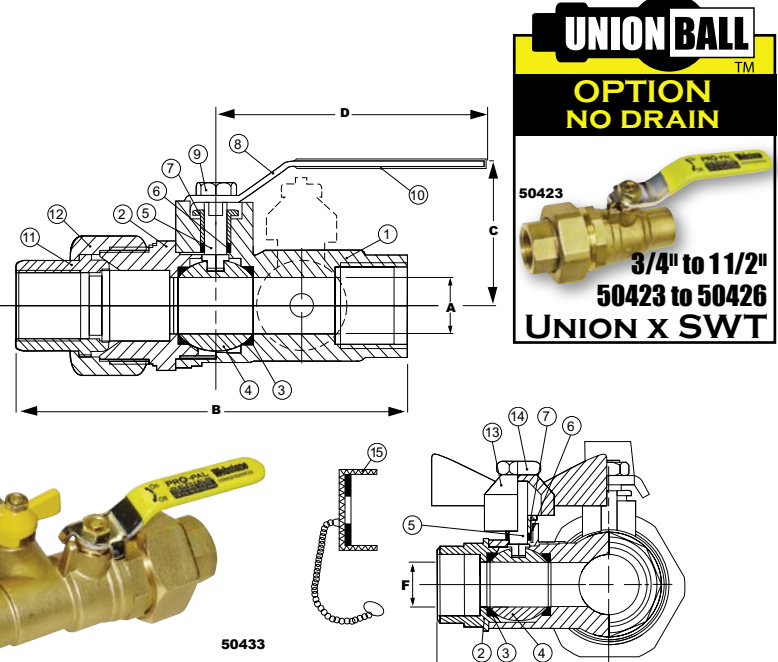
No.	Description	Quantity	Material
1.	BODY	1	FORGED BRASS (ASTM B283-C37700)
2.	END CAP	2	FORGED BRASS (ASTM B283-C37700)
3.	SEATS	4	TEFLON [®] (PTFE)
4.	BALL	2	BRASS / HARD CHROME PLATE
5.	STEM	2	BRASS (ASTM B124-C37700)
6.	STEM SEAL	2	TEFLON [®] (PTFE)
7.	PACKING GLAND	2	BRASS (ASTM B124-C37700)
8.	LEVER HANDLE	1	C.P. STEEL
9.	HANDLE NUT	1	BRASS PLATED STEEL
10.	HANDLE JACKET	1	VINYL GRIP
11.	UNION FITTING	1	BRASS (ASTM B124-C37700)
12.	UNION NUT	1	BRASS (ASTM B124-C37700)
13.	DRAIN VALVE TEE HANDLE	1	ZINC w/EPOXY COATING
14.	DRAIN VALVE HANDLE NUT	1	BRASS PLATED STEEL
15.	CAP + CHAIN	1	BRASS (ASTM B124-C37700) w/NBR HOSE WASHER



IPS UNION X SWT X HI-FLOW HOSE DRAIN 50433-50436

ITEM	SIZE	CTN/CS	A	B	C	D	E	F
50433	3/4	8/32	3/4	4 1/2	2 1/10	4	2 1/16	1/2
50434	1	6/24	1	4 5/5	2 3/8	4 11/16	2 1/2	1/2
50435	1 1/4	2/16	1 1/4	5 1/4	2 1/2	4 11/16	2 3/4	3/4
50436	1 1/2	2/16	1 1/2	6 1/16	2 7/8	5 3/8	3	3/4

No.	Description	Quantity	Material
1.	BODY	1	FORGED BRASS (ASTM B283-C37700)
2.	END CAP	2	FORGED BRASS (ASTM B283-C37700)
3.	SEATS	4	TEFLON [®] (PTFE)
4.	BALL	2	BRASS / HARD CHROME PLATE
5.	STEM	2	BRASS (ASTM B124-C37700)
6.	STEM SEAL	2	TEFLON [®] (PTFE)
7.	PACKING GLAND	2	BRASS (ASTM B124-C37700)
8.	LEVER HANDLE	1	C.P. STEEL
9.	HANDLE NUT	1	BRASS PLATED STEEL
10.	HANDLE JACKET	1	VINYL GRIP
11.	UNION FITTING	1	BRASS (ASTM B124-C37700)
12.	UNION NUT	1	BRASS (ASTM B124-C37700)
13.	DRAIN VALVE TEE HANDLE	1	ZINC w/EPOXY COATING
14.	DRAIN VALVE HANDLE NUT	1	BRASS PLATED STEEL
15.	CAP + CHAIN	1	BRASS (ASTM B124-C37700) w/NBR HOSE WASHER



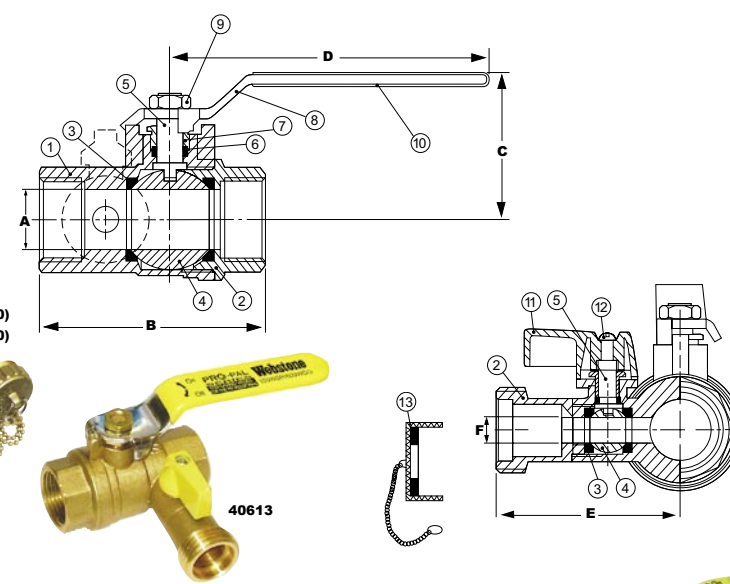
BALL DRAIN

FULL PORT FORGED BRASS BALL VALVES WITH HI-FLOW HOSE DRAIN REVERSIBLE HANDLE (600WOG/150WSP)

IPS X HI-FLOW HOSE DRAIN 40612-40617

ITEM	SIZE	CTN/CS	A	B	C	D	E	F
40612	1/2	10/100	1/2	2 1/2	1 6/8	3 3/8	2 1/4	3/8
40613	3/4	10/60	3/4	2 3/4	1 7/8	4 1/8	2 1/2	1/2
40614	1	6/48	1	3 3/8	2 1/4	4 7/8	2 3/4	1/2
40615	1 1/4	4/32	1 1/4	4	2 1/2	4 7/8	2 7/8	3/4
40616	1 1/2	2/24	1 1/2	4 3/8	2 6/8	5 3/8	3	3/4
40617	2	2/12	2	4 7/8	3 1/4	5 3/8	3 3/8	3/4

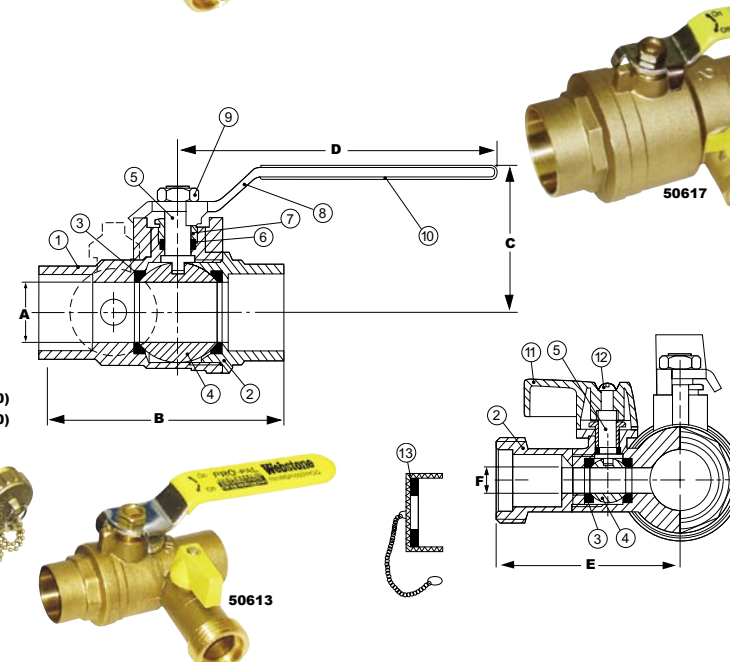
No.	Description	Quantity	Material
1.	BODY	1	FORGED BRASS (ASTM B283-C37700)
2.	END CAP	2	FORGED BRASS (ASTM B283-C37700)
3.	SEATS	4	TEFLON [®] (PTFE)
4.	BALL	2	BRASS / HARD CHROME PLATE
5.	STEM	2	BRASS (ASTM B124-C37700)
6.	STEM SEAL	2	TEFLON [®] (PTFE)
7.	PACKING GLAND	2	BRASS (ASTM B124-C37700)
8.	LEVER HANDLE	1	C.P. STEEL
9.	HANDLE NUT	1	BRASS PLATED STEEL
10.	HANDLE JACKET	1	VINYL GRIP
11.	DRAIN VALVE LEVER HANDLE	1	ZINC w/EPOXY COATING
12.	DRAIN VALVE HANDLE SCREW	1	STEEL
13.	CAP+CHAIN	1	BRASS (ASTM B124-C37700) w/NBR HOSE WASHER



CXC X HI-FLOW HOSE DRAIN 50612-50617

ITEM	SIZE	CTN/CS	A	B	C	D	E	F
50612	1/2	10/100	1/2	2 3/4	1 6/8	3 3/8	2 9/16	3/8
50613	3/4	10/60	3/4	3 1/4	1 3/4	4 1/8	2 3/8	1/2
50614	1	6/48	1	4	2 1/4	4 7/8	2 5/8	1/2
50615	1 1/4	4/32	1 1/4	4 7/8	2 5/8	4 7/8	2 7/8	3/4
50616	1 1/2	2/24	1 1/2	5 3/8	2 7/8	5 3/8	3	3/4
50617	2	2/12	2	6 1/8	3 1/4	5 3/8	3 3/8	3/4

No.	Description	Quantity	Material
1.	BODY	1	FORGED BRASS (ASTM B283-C37700)
2.	END CAP	2	FORGED BRASS (ASTM B283-C37700)
3.	SEATS	4	TEFLON [®] (PTFE)
4.	BALL	2	BRASS / HARD CHROME PLATE
5.	STEM	2	BRASS (ASTM B124-C37700)
6.	STEM SEAL	2	TEFLON [®] (PTFE)
7.	PACKING GLAND	2	BRASS (ASTM B124-C37700)
8.	LEVER HANDLE	1	C.P. STEEL
9.	HANDLE NUT	1	BRASS PLATED STEEL
10.	HANDLE JACKET	1	VINYL GRIP
11.	DRAIN VALVE LEVER HANDLE	1	ZINC w/EPOXY COATING
12.	DRAIN VALVE HANDLE SCREW	1	STEEL
13.	CAP+CHAIN	1	BRASS (ASTM B124-C37700) w/NBR HOSE WASHER



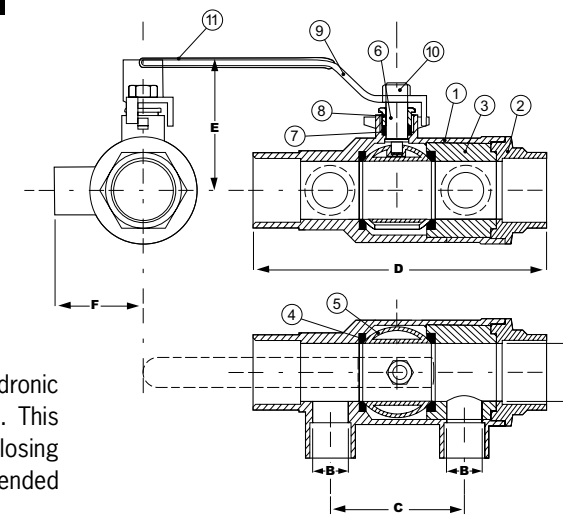
PRIMARY/SECONDARY PURGE TEE

PRIMARY/SECONDARY LOOP PURGE TEE FULL PORT BALL VALVES CXC PRIMARY AND SECONDARY LOOP (600WOG/150WSP)

CXC & CXC 58652-58654, 58662-58665

ITEM	SIZE	CTN/CS	A	B	C	D	E	F
58652	1 1/4 x 1/2	1/12	1 1/4	1/2	2 5/8	5 3/4	2 5/8	1 5/8
58653	1 1/4 x 3/4	1/12	1 1/4	3/4	2 7/8	6 5/16	2 5/8	1 13/16
58654	1 1/4 x 1	1/12	1 1/4	1	3 1/8	6 11/16	2 3/4	2
58655	1 1/4 x 1 1/4	1/12	1 1/4	1 1/4	3 1/4	7 7/16	2 5/8	1 7/8
58662	1 1/2 x 1/2	1/12	1 1/2	1/2	2 15/16	6 3/4	2 3/4	1 15/16
58663	1 1/2 x 3/4	1/12	1 1/2	3/4	3 1/8	6 13/16	2 3/4	2 1/16
58664	1 1/2 x 1	1/12	1 1/2	1	3 3/8	7 1/16	2 3/4	2 1/4
58665	1 1/2 x 1 1/4	1/12	1 1/2	1 1/4	3 5/8	7 1/2	2 5/8	2 1/4

No.	Description	Quantity	Material
1.	BODY	1	FORGED BRASS (ASTM B124-C37700)
2.	END CAP	1	FORGED BRASS (ASTM B283-C37700)
3.	SEAT RETAINER	1	BRASS (ASTM B124-C37700)
4.	SEATS	2	TEFLON [®] (PTFE)
5.	BALL	1	BRASS / HARD CHROME PLATE
6.	STEM	1	BRASS (ASTM B124-C37700)
7.	STEM SEAL	1	TEFLON [®] (PTFE)
8.	PACKING GLAND	1	BRASS (ASTM B124-C37700)
9.	HANDLE	1	C.P. STEEL
10.	HANDLE NUT	1	C.P. STEEL
11.	HANDLE JACKET	1	VINYL GRIP



The Primary/Secondary Loop Purge Tee is the best solution in hydronic systems when installing secondary loops off of the primary loop. This valve allows easy power purging off the secondary loop by simply closing the valve and forcing flow through the secondary loop. It is recommended that each secondary loop is purged individually.