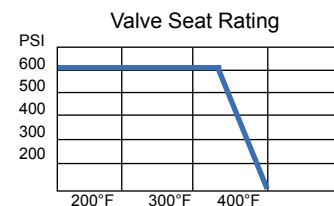


EXCLUSIVELY BY WEBSTONE

Designed for residential and commercial use with water or oil. The forged brass body and flange provide strength and versatility for any application where a pipe and flange meet. This approved Webstone valve features a solid hard chrome plated brass ball with reinforced Teflon® seats and a blowout proof stem sealed with Teflon® (PTFE), actuated by a vinyl coated stamped steel handle. The solid brass flange when seated with a rubber gasket eliminates the problem of electrolysis commonly incurred when connecting an iron flange to copper tubing. Mounting nuts and bolts and an additional wing style "T" handle are included with each valve.

FEATURES

- Exclusive purge & drain feature
- Heavy duty brass construction
- Full port for unrestricted flow
- 600 WOG 150 WSP
- Prevents electrolysis and eliminates galvanic corrosion
- Unibody construction
- Includes mounting bolts, nuts and an additional wing style "T" handle
- Allows virtually no air into the system upon pump replacement
- Fits most circulator pumps
- Adjustable packing gland for lifetime protection
- Available for high velocity pumps with slotted bolt holes
- Threaded ends comply with ANSI B1.20.1
- Solder ends comply with ANSI B16.18
- Hose threads comply with B1.20.7
- Quick quarter turn ball valve with purge, drain & fill features



all Teflon® seated valves
*Maximum Temperature is 400°F @ 100 PSI"

PRESSURE RATING
600 WOG non-shock

1. Threaded ends comply with ANSI B1.20.1
2. Approved for use with Propolyne
3. Solder end complies with ANSI B16.18
4. Hose end complies with ANSI B1.20.7
5. Manufactured in an ISO 9001 Facility

SPECIFICATIONS

Approved pump isolation flanged valves shall be 2-piece design constructed of brass unibody flange and end cap. Seats shall be Teflon® (PTFE). Stems shall be brass with a Teflon® (PTFE) seat secured with a brass packing gland to adjust handle actuation tension and prevent leakage for the life of the valve. Valve shall be rated 600WOG. The valve shall be a Webstone Company, Inc. Isolator® or Isolator® with drain.

Teflon® is a registered trademark or DUPONT.
The Isolator® is a registered trademark of Webstone Company Inc.

**The Only Way
to Isolate
Circulator
Pumps**

Webstone
Company, Inc.



PATENTED
TECHNOLOGY

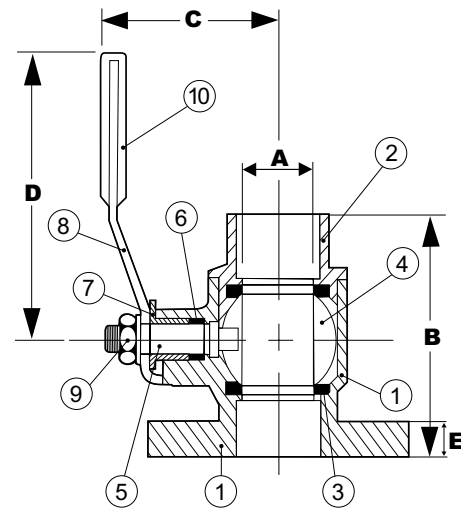
INNOVATION

4040 (IPS) & 5040 (SWT) SERIES FULL PORT FORGED BRASS BALL VALVE IPS or SWT x FLANGE (600 WOG/150 WSP) ISO 9001

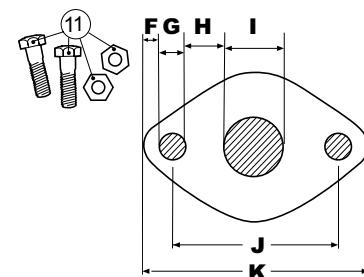


1.	FLANGED BODY	BRASS (ASTM B283-C37700)
2.	END CAP	BRASS (ASTM B283-C37700)
3.	SEATS	TEFLON® (PTFE)
4.	BALL	BRASS/HARD CHROME PLATE
5.	STEM	BRASS (ASTM B124-C37700)
6.	STEM SEAL	TEFLON® (PTFE)
7.	PACKING GLAND	BRASS (ASTM B124-C37700)
8.	LEVER HANDLE	C.P. STEEL
8a.	WING STYLE "T" HANDLE	C.P. STEEL/VINYL GRIPS
9.	HANDLE NUT	BRASS (ASTM B124-37700)
10.	HANDLE JACKET	VINYL GRIP
11.	MOUNTING BOLTS & NUTS	STEEL

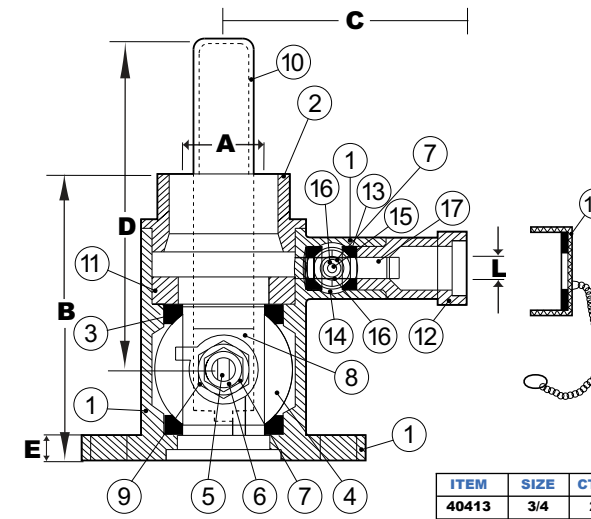
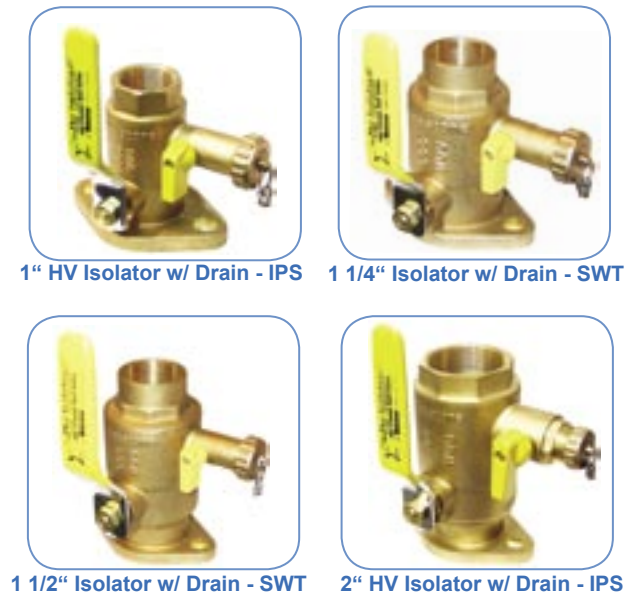
ITEM	SIZE	CTN/CS	A	B	C	D	E	F	G	H	I	J	K	C _v
40402	1/2	2/20	9/16	2	1 7/8	3 1/2	3/8	3/16	1/2	7/8	13/16	3 3/16	4 1/8	11.47
40403	3/4	2/20	3/4	2 1/4	2 1/4	4	3/8	3/16	1/2	3/4	1 1/8	3 3/16	4 1/8	24.01
40404	1	2/20	15/16	2 1/2	2 1/2	4 5/8	3/8	3/16	1/2	5/8	1 5/16	3 3/16	4 1/8	49.30
40405	1 1/4	2/20	1 1/4	2 13/16	2 3/4	4 5/8	3/8	3/16	1/2	1 5/8	3 3/16	4 1/8	4 1/8	14.03
40406	1 1/2	2/20	1 1/2	3 13/16	3 3/8	5 5/8	3/8	3/16	1/2	5/16	2	3 3/16	4 1/8	161.30
40404HV	1	2/20	15/16	2 1/2	2 1/2	4 5/8	3/8	1/8	11/16	5/8	1 5/16	3 1/2	4 9/16	49.30
40405HV	1 1/4	2/20	1 1/4	2 13/16	2 3/4	4 5/8	3/8	1/8	11/16	1/2	1 5/8	3 1/2	4 9/16	14.03
40406HV	1 1/2	2/20	1 1/2	3 13/16	3 3/8	5 5/8	3/8	1/8	11/16	3/8	2	3 1/2	4 9/16	161.30
40407HV	2	2/10	2	4 1/4	3 5/8	5 9/16	3/8	1/2	1/2	5/8	1 7/8	3 1/2	4 9/16	248.61
ITEM	SIZE	CTN/CS	A	B	C	D	E	F	G	H	I	J	K	C _v
50402	1/2	2/20	9/16	2	1 7/8	3 1/2	3/8	3/16	1/2	7/8	13/16	3 3/16	4 1/8	11.47
50403	3/4	2/20	3/4	2 3/8	2 1/4	4	3/8	3/16	1/2	3/4	1 1/8	3 3/16	4 1/8	24.01
50404	1	2/20	15/16	2 3/4	2 1/2	4 5/8	3/8	3/16	1/2	5/8	1 5/16	3 3/16	4 1/8	49.30
50405	1 1/4	2/20	1 1/4	3	2 3/4	4 5/8	3/8	3/16	1/2	1 5/8	3 3/16	4 1/8	4 1/8	14.03
50406	1 1/2	2/20	1 1/2	4 1/4	3 3/8	5 5/8	3/8	3/16	1/2	5/16	2	3 3/16	4 1/8	161.3
50404HV	1	2/20	15/16	2 3/4	2 1/2	4 5/8	3/8	1/8	11/16	5/8	1 5/16	3 1/2	4 9/16	49.30
50405HV	1 1/4	2/20	1 1/4	3	2 3/4	4 5/8	3/8	1/8	11/16	1/2	1 5/8	3 1/2	4 9/16	14.03
50406HV	1 1/2	2/20	1 1/2	4 1/4	3 3/8	5 5/8	3/8	1/8	11/16	3/8	2	3 1/2	4 9/16	161.3
50407HV	2	2/10	2	4 15/16	3 7/16	5 5/8	3/8	1/8	1/2	5/8	1 7/8	3 1/2	4 9/16	248.61



FLANGE FOR STANDARD MODELS

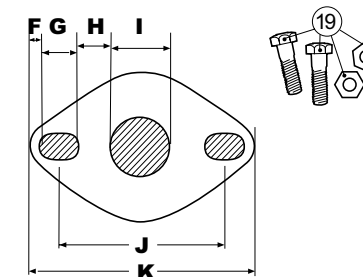


4041 (IPS) & 5041 (SWT) SERIES FULL PORT FORGED BRASS BALL VALVE with DRAIN - IPS or SWT x FLANGE x HOSE (600 WOG/150 WSP) - ISO 9001



FLANGE FOR HIGH VELOCITY (HV) MODELS

2nd model features larger flange and round holes



1.	FLANGED BODY	FORGED BRASS (ASTM B283-C37700)
2.	END CAP	FORGED BRASS (ASTM B283-C37700)
3.	SEATS	TEFLON® (PTFE)
4.	BALL	BRASS/HARD CHROME PLATE
5.	STEM	BRASS (ASTM B124-C37700)
6.	STEM SEAL	TEFLON® (PTFE)
7.	PACKING GLAND	BRASS (ASTM B124-C37700)
8.	LEVER HANDLE	C.P. STEEL
8a.	WING STYLE "T" HANDLE	C.P. STEEL/VINYL GRIPS
9.	HANDLE NUT	BRASS (ASTM B124-37700)
10.	HANDLE JACKET	VINYL GRIP
11.	SEAT RETAINER	BRASS (ASTM B124-C37700)
12.	HOSE THREADED END CAP	FORGED BRASS (ASTM B283-C37700)
13.	DRAIN VALVE SEATS	TEFLON® (PTFE)
14.	DRAIN VALVE BALL	BRASS/HARD CHROME PLATE
15.	DRAIN VALVE STEM	BRASS (ASTM B124-C37700)
16.	DRAIN VALVE STEM SEAL	TEFLON® (PTFE)
17.	DRAIN VALVE HANDLE	ENAMEL COATED ALUMINUM
18.	CAP AND CHAIN	BRASS (ASTM B124-C37700) w/NBR HOSE WASHER
19.	MOUNTING BOLTS & NUTS	STEEL

ITEM	SIZE	CTN/CS	A	B	C	D	E	F	G	H	I	J	K	L	C _v
40413	3/4	2/20	3/4	3 9/16	2 1/4	4	3/8	3/16	1/2	3/4	1 1/8	3 3/16	4 1/8	1/2	11.47
40414	1	2/20	15/16	3 3/4	2 1/2	4 5/8	3/8	3/16	1/2	5/8	1 5/16	3 3/16	4 1/8	1/2	24.01
40415	1 1/4	2/20	1 1/4	4 1/16	2 3/4	4 5/8	3/8	3/16	1/2	1 5/8	3 3/16	4 1/8	3/4	49.30	
40416	1 1/2	2/20	1 1/2	5 1/16	3 1/2	5 9/16	3/8	3/16	1/2	5/16	2	3 3/16	4 1/8	3/4	161.30
40414HV	1	2/20	15/16	3 3/4	2 1/2	4 5/8	3/8	1/8	11/16	5/8	1 5/16	3 1/2	4 9/16	3/4	24.01
40415HV	1 1/4	2/20	1 1/4	4 1/16	2 3/4	4 5/8	3/8	1/8	11/16	1/2	1 5/8	3 1/2	4 9/16	3/4	49.30
40416HV	1 1/2	2/20	1 1/2	5 1/16	3 1/2	5 9/16	3/8	1/8	11/16	3/8	2	3 1/2	4 9/16	3/4	161.30
40417HV	2	1/10	2	5 9/16	3 3/8	5 15/16	3/8	1/2	1/2	11/16	5/8	3 1/2	4 9/16	3/4	248.61
ITEM	SIZE	CTN/CS	A	B	C	D	E	F	G	H	I	J	K	L	C _v
50413	3/4	2/20	3/4	3 3/4	2 1/4	4	3/8	3/16	1/2	3/4	1 1/8	3 3/16	4 1/8	1/2	11.47
50414	1	2/20	15/16	3 15/16	2 1/2	4 5/8	3/8	3/16	1/2	5/8	1 5/16	3 3/16	4 1/8	1/2	24.01
50415	1 1/4	2/20	1 1/4	4 5/16	2 3/4	4 5/8	3/8	3/16	1/2	1 5/8	3 3/16	4 1/8	3/4	49.30	
50416	1 1/2	2/20	1 1/2	5 7/16	3 3/8	5 9/16	3/8	3/16	1/2	5/16	2	3 3/16	4 1/8	3/4	161.3
50414HV	1	2/20	15/16	3 15/16	2 1/2	4 5/8	3/8	1/8	11/16	5/8	1 5/16	3 1/2	4 9/16	3/4	24.01
50415HV	1 1/4	2/20	1 1/4	4 5/16	2 3/4	4 5/8	3/8	1/8	11/16	1/2	1 5/8	3 1/2	4 9/16	3/4	49.30
50416HV	1 1/2	2/20	1 1/2	5 7/16	3 3/8	5 9/16	3/8	1/8	11/16	3/8	2	3 1/2	4 9/16	3/4	161.30
50417HV	2	1/10	2	6 1/8	3 3/8	5 15/16	3/8	1/2	1/2	11/16	5/8	3 1/2	4 9/16	3/4	248.61

Teflon® is a registered trademark or DUPONT.
The Isolator® is a registered trademark of Webstone Company Inc.