



Full Port Forged Brass Ball Valves Heavy Pattern w/304 Stainless Steel Handle

Item#	Size	Ctn/Cs	A	B	C	D	Cv
304 S.S. Handle							
46002	1/2 IPS	12/72	9/16	2 5/16	1 7/8	4	11.47
46003	3/4 IPS	10/60	3/4	2 5/8	2	4	27.01
46004	1 IPS	8/32	1	3 1/8	2 5/8	4 3/4	49.30
46005	1 1/4 IPS	6/24	1 1/4	3 5/8	2 3/4	4 3/4	114.03
46006	1 1/2 IPS	4/12	1 1/2	4	3 5/16	6 3/8	161.30
46007	2 IPS	3/9	2	4 13/16	3 5/8	6 3/8	248.61
56002	1/2 CXC	12/72	9/16	2 5/16	1 5/16	4	11.47
56003	3/4 CXC	10/60	3/4	2 13/16	2 1/16	4	27.01
56004	1 CXC	8/32	1	3 1/2	2 1/2	4 3/4	49.30
56005	1 1/4 CXC	6/24	1 1/4	4 1/4	2 7/8	4 3/4	114.03
56006	1 1/2 CXC	4/12	1 1/2	4 5/8	3 3/8	6 3/8	161.30
56007	2 CXC	3/9	2	5 9/16	3 9/16	6 3/8	248.61

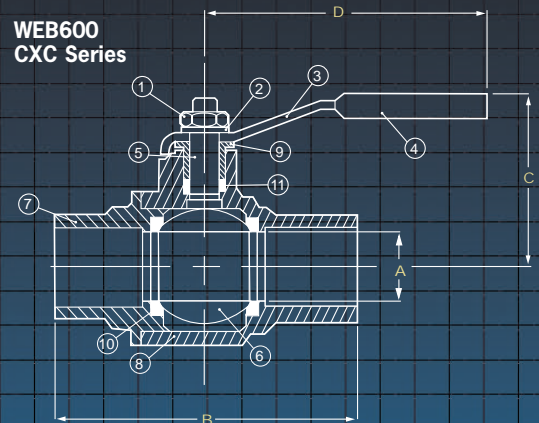
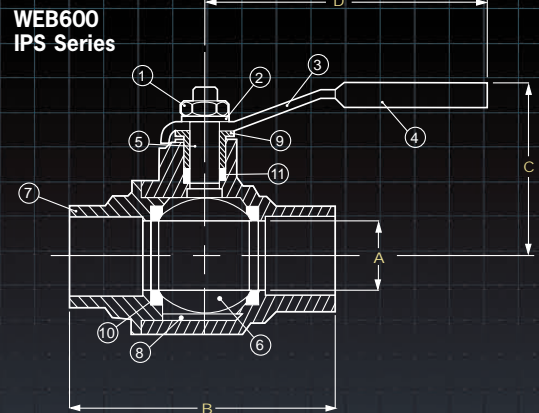
316 S.S. Ball, Stem & 304 S.S. Handle							
46012	1/2 IPS	12/72	9/16	2 5/16	1 7/8	4	11.47
46013	3/4 IPS	10/60	3/4	2 5/8	2	4	27.01
46014	1 IPS	8/32	1	3 1/8	2 5/8	4 3/4	49.30
46015	1 1/4 IPS	6/24	1 1/4	3 5/8	2 3/4	4 3/4	114.03
46016	1 1/2 IPS	4/12	1 1/2	4	3 5/16	6 3/8	161.30
46017	2 IPS	3/9	2	4 13/16	3 5/8	6 3/8	248.61
56012	1/2 CXC	12/72	9/16	2 5/16	1 5/16	4	11.47
56013	3/4 CXC	10/60	3/4	2 13/16	2 1/16	4	27.01
56014	1 CXC	8/32	1	3 1/2	2 1/2	4 3/4	49.30
56015	1 1/4 CXC	6/24	1 1/4	4 1/4	2 7/8	4 3/4	114.03
56016	1 1/2 CXC	4/12	1 1/2	4 5/8	3 3/8	6 3/8	161.30
56017	2 CXC	3/9	2	5 9/16	3 9/16	6 3/8	248.61

316 S.S. Ball, 90° Stem & 304 S.S. Handle							
46022	1/2 IPS	12/72	9/16	2 5/16	1 7/8	4	11.47
46023	3/4 IPS	10/60	3/4	2 5/8	2	4	27.01
46024	1 IPS	8/32	1	3 1/8	2 5/8	4 3/4	49.30
46025	1 1/4 IPS	6/24	1 1/4	3 5/8	2 3/4	4 3/4	114.03
46026	1 1/2 IPS	4/12	1 1/2	4	3 5/16	6 3/8	161.30
46027	2 IPS	3/9	2	4 13/16	3 5/8	6 3/8	248.61
56022	1/2 CXC	12/72	9/16	2 5/16	1 5/16	4	11.47
56023	3/4 CXC	10/60	3/4	2 13/16	2 1/16	4	27.01
56024	1 CXC	8/32	1	3 1/2	2 1/2	4 3/4	49.30
56025	1 1/4 CXC	6/24	1 1/4	4 1/4	2 7/8	4 3/4	114.03
56026	1 1/2 CXC	4/12	1 1/2	4 5/8	3 3/8	6 3/8	161.30
56027	2 CXC	3/9	2	5 9/16	3 9/16	6 3/8	248.61

90° Brass Stem & 304 S.S. Handle							
46032	1/2 IPS	12/72	9/16	2 5/16	1 7/8	4	11.47
46033	3/4 IPS	10/60	3/4	2 5/8	2	4	27.01
46034	1 IPS	8/32	1	3 1/8	2 5/8	4 3/4	49.30
46035	1 1/4 IPS	6/24	1 1/4	3 5/8	2 3/4	4 3/4	114.03
46036	1 1/2 IPS	4/12	1 1/2	4	3 5/16	6 3/8	161.30
46037	2 IPS	3/9	2	4 13/16	3 5/8	6 3/8	248.61
56032	1/2 CXC	12/72	9/16	2 5/16	1 5/16	4	11.47
56033	3/4 CXC	10/60	3/4	2 13/16	2 1/16	4	27.01
56034	1 CXC	8/32	1	3 1/2	2 1/2	4 3/4	49.30
56035	1 1/4 CXC	6/24	1 1/4	4 1/4	2 7/8	4 3/4	114.03
56036	1 1/2 CXC	4/12	1 1/2	4 5/8	3 3/8	6 3/8	161.30
56037	2 CXC	3/9	2	5 9/16	3 9/16	6 3/8	248.61

Cv = The number of gallons of water per minute that pass through the valve at a 1lb pressure drop. Memory stops, handle extensions, locking devices and other options are available. Call 1-800-225-9529 for details. Prices subject to change without notice.

No.	Descript.	Qty. per valve	Material
1.	HANDLE NUT	1	304 STAINLESS STEEL
2.	LOCK WASHER	1	304 STAINLESS STEEL
3.	HANDLE	1	304 STAINLESS STEEL
4.	HANDLE JACKET	1	VINYL
5.	STEM	1	BRASS (ASTM B124-C37700) 316 SS OPTION
6.	BALL	1	BRASS/HARD CHROME PLATE 316 SS OPTION
7.	END CAP	1	FORGED BRASS (ASTM B283-C37700)
8.	BODY	1	FORGED BRASS (ASTM B283-C37700)
9.	PACKING GLAND	1	BRASS (ASTM B124-C37700)
10.	SEATS	2	TEFLON® (PTFE)
11.	STEM SEAL	1	TEFLON® (PTFE)



DESIGNED FOR residential, commercial and industrial use with water, oil or gas. Extra heavy duty forged brass body. Hard chrome plated brass ball encompassed by Teflon® seats. The valve is actuated by a blowout-proof stem with a Teflon® seal and features an adjustable packing nut. All sizes feature a vinyl coated 304 stainless steel handle for a long corrosion-proof life. Assembled in the United States from domestic and superior foreign components.



THE WEB 600



Uncompromised Quality.

- Extra Heavy Duty Forged Brass Body
- 304 Stainless Steel Handle, Lock Washer and Nut
- Hard Chrome Plated Brass Ball
- 316 Stainless Steel Ball and Stem Option
- Reinforced Teflon® Seats and Stem Seal
- 600 WOG - 150 WSP
- Adjustable Packing Nut
- Stress Relief Riser for Fortified Seal
- Hydrogen Tested Underwater at 800 PSI
- Full Port for a Full Flow
- Assembled in the United States from Domestic and Superior Foreign Components



THE WEB 600



Available
EXCLUSIVELY from Webstone



ADVANCED TECHNOLOGY

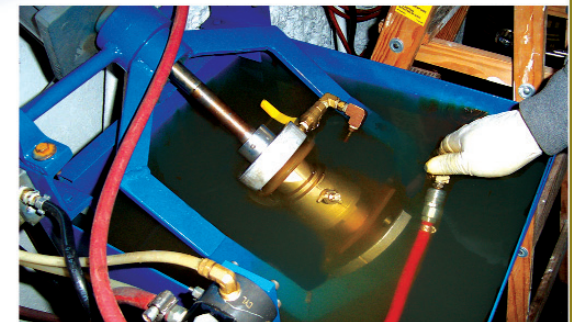
The all-new WEB600 is designed, built and tested in the U.S.A. exclusively by Webstone. We began by taking the most desired features of the best domestic ball valves like: a heavy pattern cast brass body, a full port, an adjustable packing nut and Teflon® seats & seals throughout. Then the minds at Webstone began to refine all of these quality features to include: forged brass components for optimum strength and durability, a 304 stainless steel handle that will not rust or corrode, a hard chrome plated brass ball machined with such precision that even the most sophisticated measuring devices have a hard time detecting a variance in size and shape. It also features a stress relief riser machined into each body and cap to create a fortified seal that holds pressure even under the most extreme conditions.

Now we have added stainless steel trim and 90° stems. The 316 stainless steel ball and stem combine with the 304 stainless steel handle, nut and lock washer to bring you an industrial quality valve with state of the art features and benefits. 90° stems add flexibility to specific installations.

The result is a valve so technologically advanced that it has no competition in its class. Compare it to the best selling domestic valves and the choice is clear. Did we forget to mention that it is less expensive than those "same old technology" domestic valves? The valve of the 21st century is here today and it is called The WEB600.



Innovative
Technology



Webstone
Company, Inc.

One Appian Way, Worcester, MA 01610
Phone: 1-800-225-9529 Fax: 1-800-336-5133 www.webstonevalves.com