

**CSA
& IAPMO
CERTIFIED!**

SEPTTECH™

POLY TANK

The Next Generation

Environmentally Sound

Watertight and corrosion resistant onsite wastewater tanks

Versatile

Suitable for septic or pump tank applications

Heavy Duty

Designed to perform under tough conditions

Code Compliant

Meets or exceeds standard tank requirements

Installer Friendly

Easy handling and multi-port inlet/outlet pipe configurations

Safe & Secure

Sturdy, lockable, threaded cover and riser system



CERTIFIED



Lockable Lids

FRALO is the proud owner and operator of the world's largest blow-mold machine. Our patented multi-layer co-extrusion process (COEX-4), utilizes high molecular weight HDPE to produce the "Next Generation" of onsite wastewater tanks.

Key Features

- Low-profile high-performance design
- One and two compartment models, per specifications
- Convenient and watertight threaded access riser system (sold separately)
- Includes connection gaskets and filter-ready inlet/outlet tees
 - No water required during backfill process
 - Fifty-year manufacturers warranty
 - Heaviest poly tank on the market

FRALO looks forward to serving all your SEPTTECH™ tank needs!

Patents Pending

FRALO

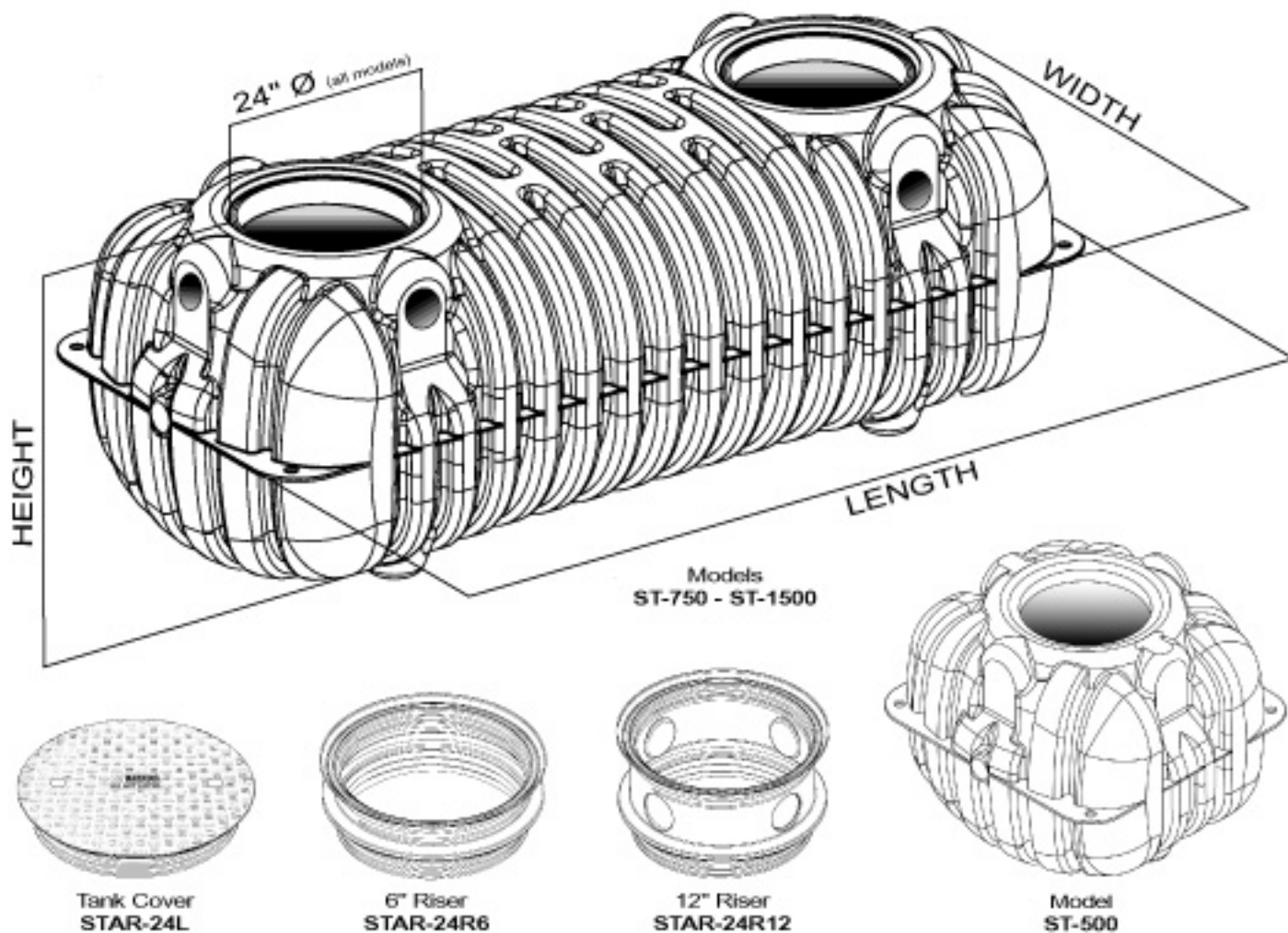
Plastech

Call Toll Free: 866.943.7256

Innovative Plastic Technology



SEPTTECH™ TANK SPECIFICATIONS



Models
ST-750 - ST-1500



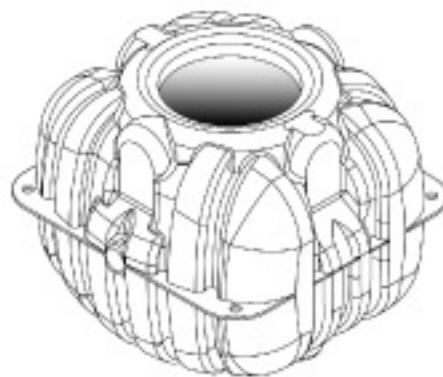
Tank Cover
STAR-24L



6" Riser
STAR-24R6



12" Riser
STAR-24R12



Model
ST-500

SEPTTECH™ TANK SPECIFICATIONS

MODEL	RATED CAPACITY US Gallons (Liters)	ACTUAL CAPACITY US Gallons (Liters)		TOTAL CAPACITY US Gallons (Liters)	HEIGHT	WIDTH	LENGTH	WEIGHT Pounds	NOTES
		40" LL	42" LL						
ST-500	400 (1515)	400 (1515)	420 (1590)	500 (1893)	51"	62"	60"	225	1,2,3
ST-750	750 (2840)	853 (3230)	898 (3400)	1007 (3812)	51"	62"	103"	360	2,3
ST-900	900 (3405)	1000 (3749)	1041 (3893)	1147 (4340)	51"	62"	118"	450	1,2,3
ST-1000E	1000 (3405)	1000 (3749)	1041 (3893)	1147 (4340)	51"	62"	118"	450	1,2,3
ST-1060	1060 (4012)	1177 (4457)	1227 (4646)	1311 (4962)	51"	62"	133"	520	2,3
ST-1250	1250 (4730)	1285 (4790)	1325 (5017)	1464 (5541)	51"	62"	148"	560	2,3
ST-1500	1500 (5678)	1571 (5949)	1660 (6286)	1768 (6692)	51"	62"	177"	640	2,3

- Notes:**
1. Not CSA or IAPMO certified
 2. Actual capacity of tank in gallons at a 40" LL (A pattern) or 42" LL (B pattern) drill points
 3. Total capacity of tank in gallons when used as a poly tank or holding tank (no freeboard)



- Access at or above grade level must be secured against unauthorized access
- Not rated for vehicular traffic loading

WARRANTY FRALO Plastech Mfg. warrants the FRALO SEPTTECH™ tank for a period of fifty years from date of purchase against any manufacturing defects, providing the tank has been used and installed in accordance with manufacturer's written instructions. FRALO will, at its option, repair or replace any tank it deems to be defective and FRALO's obligations under this warranty are strictly limited to the repair and/or replacement of the defective tank. FRALO assumes no liability in cases of improper installation or misuse. FRALO is not responsible for any resulting contingent liabilities or charges. This warranty applies only to the original tank installation.



With an emphasis on products for the waste-water and environmental industries, FRALO Plastech is your innovative partner in business. Our products are engineered for performance over the long term. We welcome your comments and look forward to meeting your future engineered plastic product needs.

DISTRIBUTED BY: