

**NSF 61
CERTIFIED!**

PURETECH™

NSF 61 Potable Water Cisterns

The Next Generation

Environmentally Sound

Watertight, corrosion resistant and
FDA approved construction

Versatile

Ideal for potable
water and other
consumable liquids

Heavy Duty

Designed to perform
under tough conditions

Code Compliant

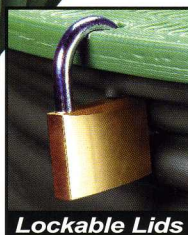
Meets or exceeds state
requirements and NSF 61

Installer Friendly

Easy handling and multi-port
inlet/outlet pipe configurations

Safe & Secure

Sturdy, lockable, threaded cover
and riser system



Lockable Lids



CERTIFIED

FRALO is the proud owner and operator of the world's largest blow-mold machine. Our patented multi-layer co-extrusion process (COEX-4), utilizes high molecular weight HDPE to produce the "Next Generation" of potable water cisterns.

Key Features

- Low-profile high-performance design
- Convenient and watertight threaded access riser system (sold separately)
- Includes connection gaskets and threaded manhole covers
 - No water required during backfill process
 - Fifty-year manufacturers warranty
 - Heaviest poly tank on the market

*FRALO looks forward to serving all
your water tank needs!*

Patents Pending

FRALO

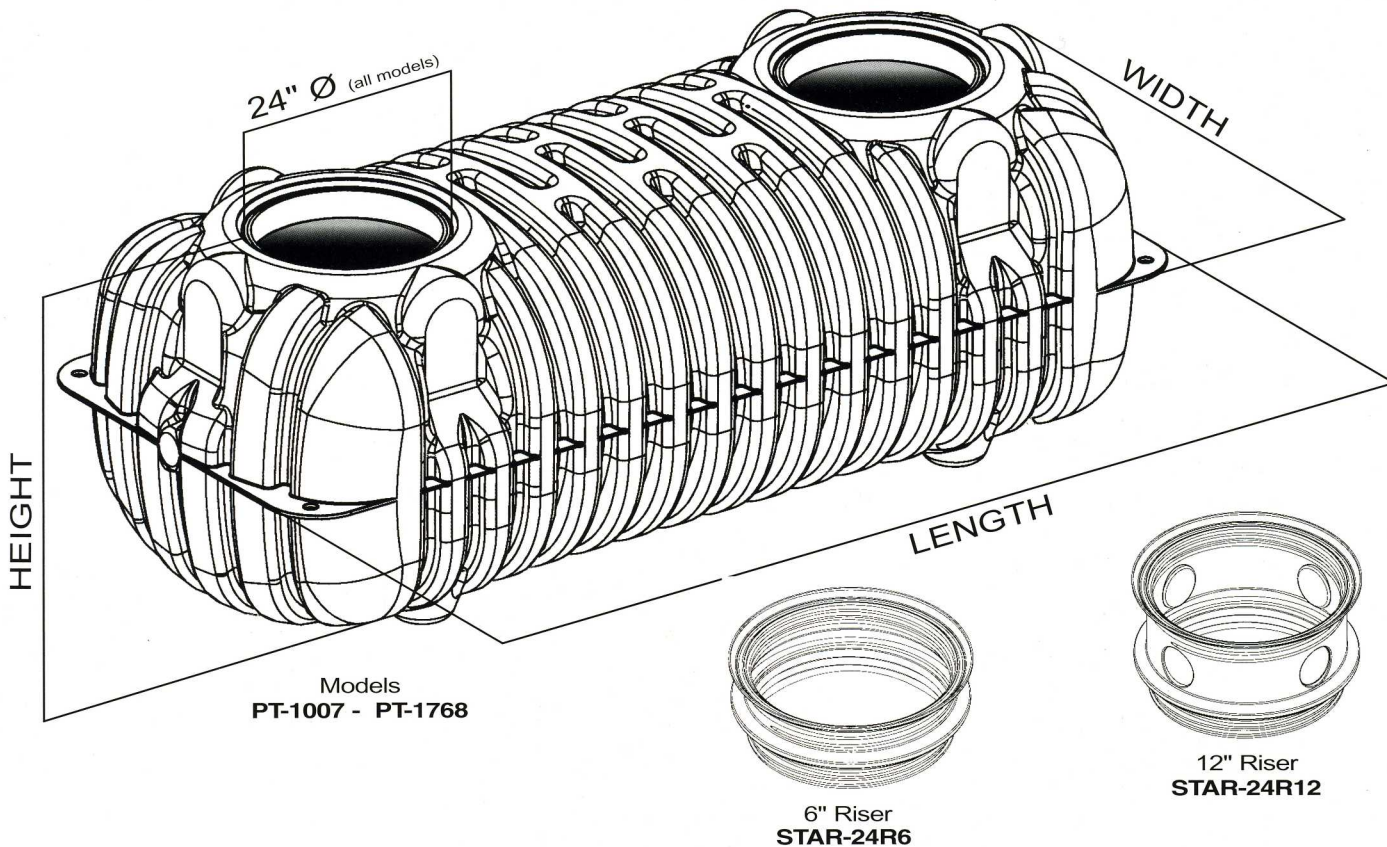
Plastech

Call Toll Free: 866.943.7256

Innovative Plastic Technology



PURETECH™ TANK SPECIFICATIONS



NSF 61 APPROVED PURETECH™ TANK SPECIFICATIONS

(Pricing effective Oct. 17, 2005)

MODEL	TOTAL CAPACITY US Gallons (Liters)	HEIGHT Inches	WIDTH Inches	LENGTH Inches	WEIGHT Pounds	LIST PRICE
PT-1007	1007 (3812)	51	62	103	360	\$1033
PT-1311	1311 (4962)	51	62	133	520	\$1516
PT-1464	1464 (5541)	51	62	148	560	\$1817
PT-1768	1768 (6692)	51	62	177	640	\$2208

GENERAL CISTERN INSTALLATION GUIDELINES

1. Follow the manufacturer's instructions for installations (same as our septic tanks).
2. Take extra precaution for sealing where surface or groundwater may infiltrate system (piping, cistern, drop pipe etc.).
3. Appropriate downstream filtration and disinfection should always be installed.
4. Cisterns should be disinfected after installation and regularly thereafter.
5. Seal manhole covers, tank to riser joint, risers to risers joints with gasketing, butyl mastic, silicone or other sealant.
6. Ensure that all penetrations to the vessel that are made are absolutely water-tight.



WARNING

- Access at or above grade level must be secured against unauthorized access
- Not rated for vehicular traffic loading

WARRANTY FRALO Plastech Mfg. warrants the FRALO PURETECH™ tank for a period of fifty years from date of purchase against any manufacturing defects, providing the tank has been used and installed in accordance with manufacturer's written instructions. FRALO will, at its option, repair or replace any tank it deems to be defective and FRALO's obligations under this warranty are strictly limited to the repair and/or replacement of the defective tank. FRALO assumes no liability in cases of improper installation or misuse. FRALO is not responsible for any resulting contingent liabilities or charges. This warranty applies only to the original tank installation.



CERTIFIED



With an emphasis on products for the water, wastewater, and environmental industries, FRALO Plastech is your innovative partner in business. Our products are engineered for performance over the long term. We welcome your comments and look forward to meeting your future engineered plastic product needs.

DISTRIBUTED BY: