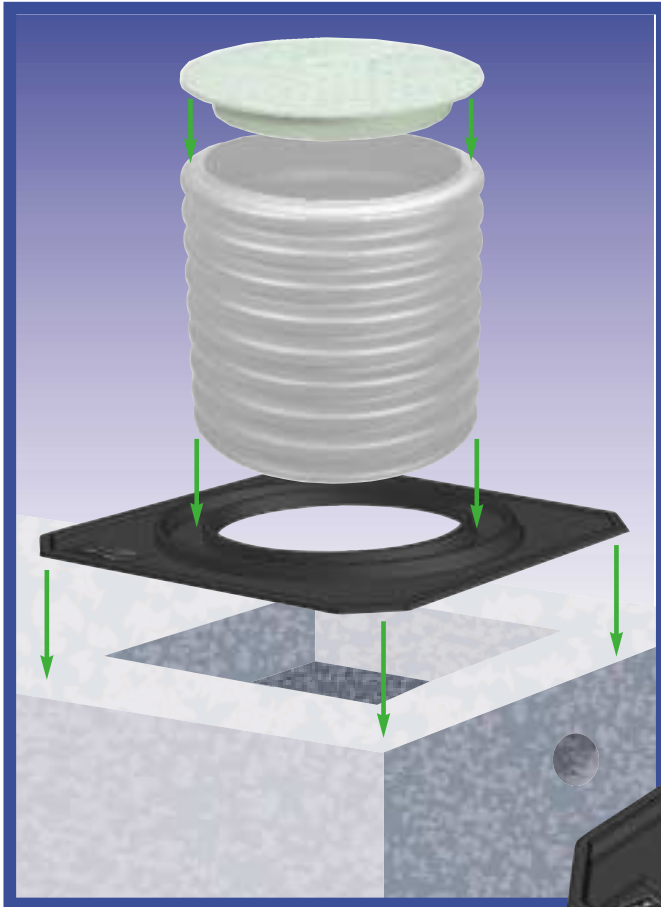


**NEW  
FROM  
FRALO**

**STAR™**

# TANK ADAPTER



## **The Next Generation**

### **Retrofit**

Add a ready-access riser system to existing septic tanks

### **Round or Square Openings**

Cover up to 24" openings without sheet metal, mortar or the mess

### **18" or 24" Diameters**

Quick-fit 18" or 24" corrugated pipe or FRALO's STAR™ 24" Threaded Riser System

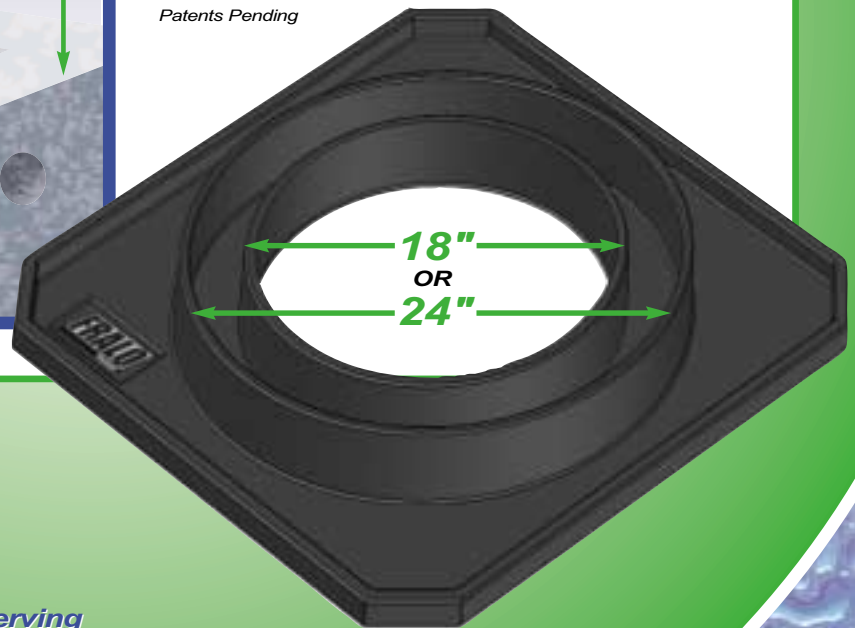
### **Stay-Put System**

Secure mechanically and/or with a sealant to prevent shifting and maintain integrity

### **Complete From Top to Bottom**

Finish the job with FRALO's STAR™ Plug Cover... the industry's best

Patents Pending



FRALO is the proud owner and operator of the world's largest blow-mold machine. Our patented manufacturing and design processes, utilizes high molecular weight HDPE to produce the "Next Generation" of onsite wastewater products.

*FRALO looks forward to serving all your wastewater product needs!*

**FRALO**  
Plastech

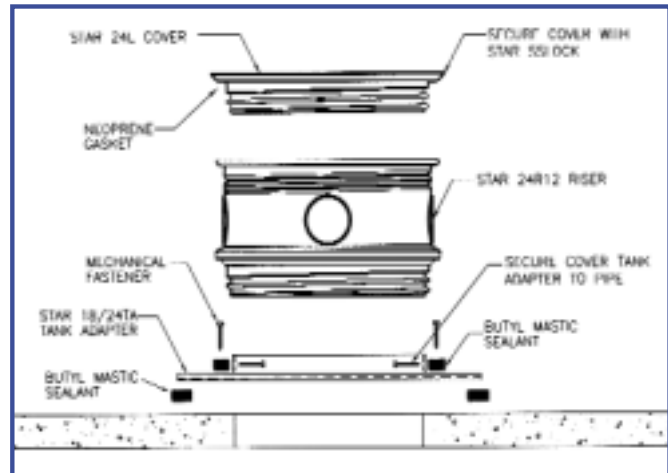
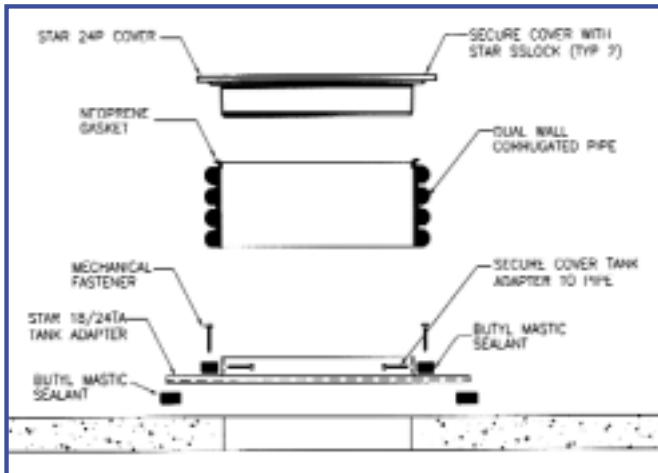
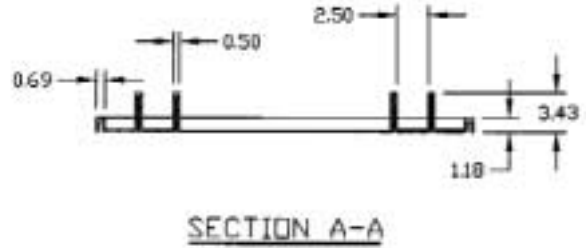
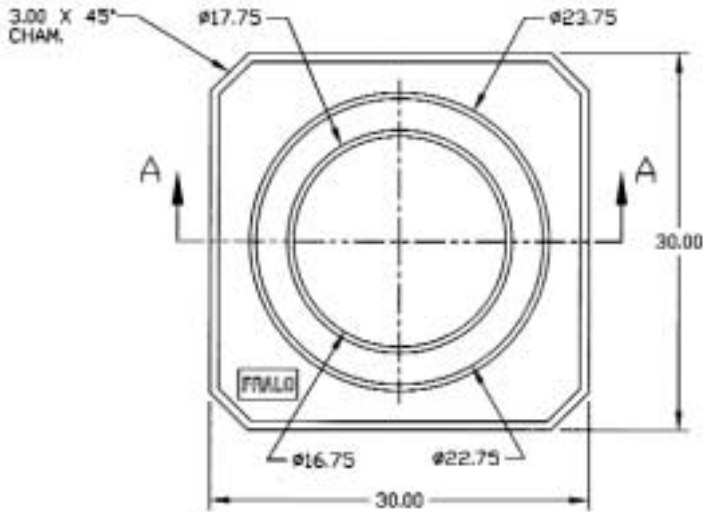


Call Toll Free: 866.943.7256

Innovative Plastic Technology

# TANK ADAPTER

## SPECIFICATIONS



**WARNING**

- Use only STAR stainless steel security seals (Part # SSLOCK) to secure against unauthorized access

- Not rated for vehicular traffic loading

**WARRANTY** FRALO Plastech Mfg. warrants the STAR™ Tank Adapter for a period of five years from date of purchase against any manufacturing defects, providing the tank adapter has been used and installed in accordance with manufacturer's written instructions. FRALO will, at its option, repair or replace any tank adapter it deems to be defective and FRALO's obligations under this warranty are strictly limited to the repair and/or replacement of the defective tank adapter. FRALO assumes no liability in cases of improper installation or misuse. FRALO is not responsible for any resulting contingent liabilities or charges. This warranty applies only to the original tank adapter installation.

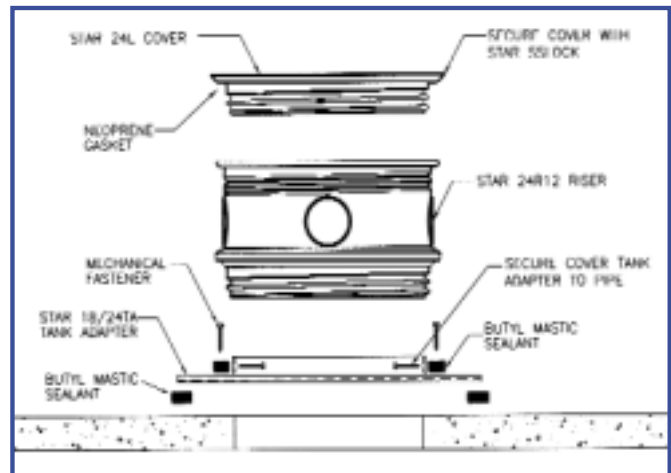
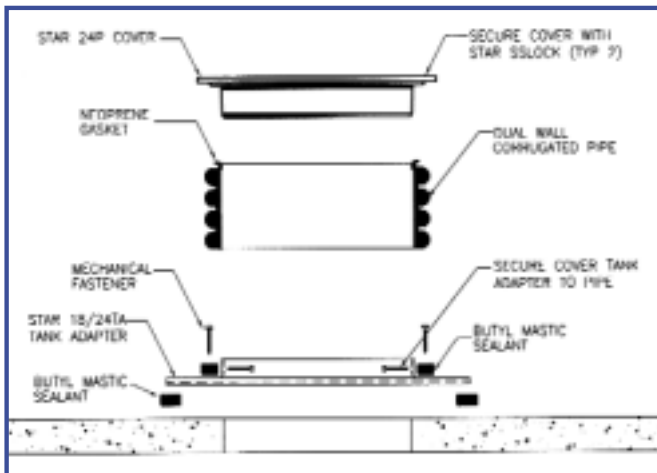
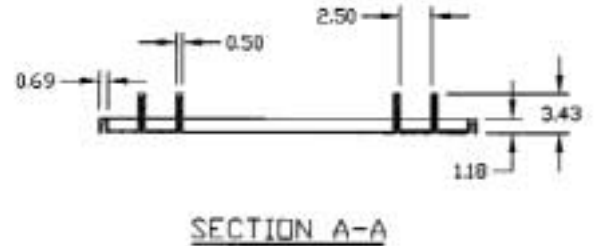
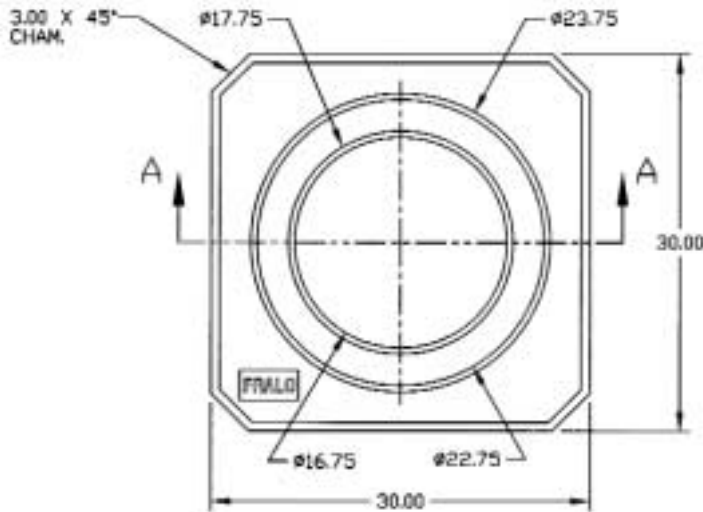



With an emphasis on products for the waste-water and environmental industries, FRALO Plastech is your innovative partner in business. Our products are engineered for performance over the long term. We welcome your comments and look forward to meeting your future engineered plastic product needs.

**DISTRIBUTED BY:**

# TANK ADAPTER

## SPECIFICATIONS



 **WARNING**

- Use only STAR stainless steel security seals (Part # SSLOCK) to secure against unauthorized access
- Not rated for vehicular traffic loading

**WARRANTY** FRALO Plastech Mfg. warrants the STAR™ Tank Adapter for a period of five years from date of purchase against any manufacturing defects, providing the tank adapter has been used and installed in accordance with manufacturer's written instructions. FRALO will, at its option, repair or replace any tank adapter it deems to be defective and FRALO's obligations under this warranty are strictly limited to the repair and/or replacement of the defective tank adapter. FRALO assumes no liability in cases of improper installation or misuse. FRALO is not responsible for any resulting contingent liabilities or charges. This warranty applies only to the original tank adapter installation.

