

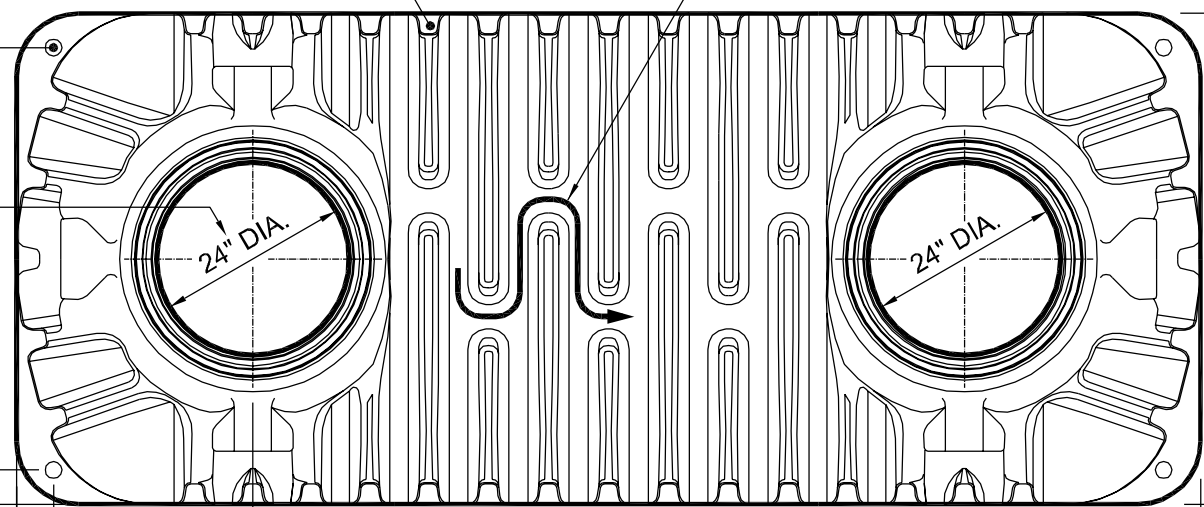
HORIZONTAL STRUCTURAL REINFORCING RIBS  
(FULL CIRCUMFERENCE)

GAS (TOP) / LIQUID (BOTTOM)  
PASS-THRU SLOT INSIDE TANK

**TOP**

LIFTING HOLES  
(4 TYPICAL)

THREADED ACCESS OPENING  
24" I.D. DIA.  
(2 TYPICAL)



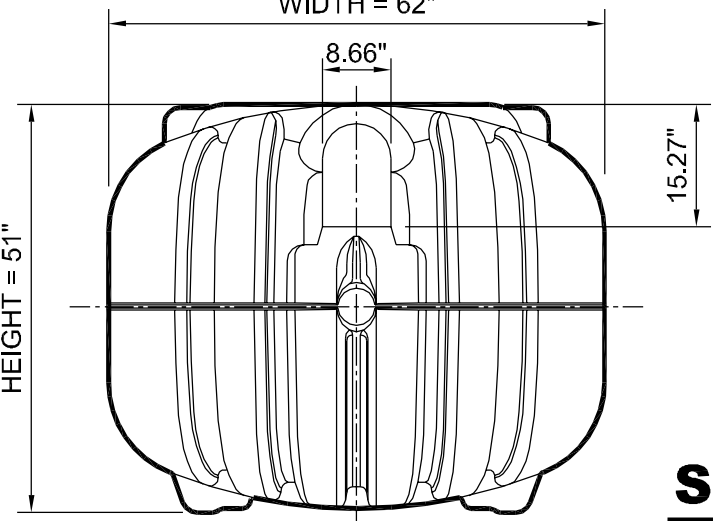
WIDTH = 62"

4.25" TYP.  
4.25" TYP.  
4.25" TYP.  
29 1/2" TYP.

LENGTH = 148"

WIDTH = 62"

HEIGHT = 51"



15.27"

**SIDE**

**SEPTIC TANK SPECS**

DESIGN CAPACITY		TOTAL CAPACITY		WEIGHT
GALLONS	LITERS	GALLONS	LITERS	POUNDS
1250	4730	1464	5541	560

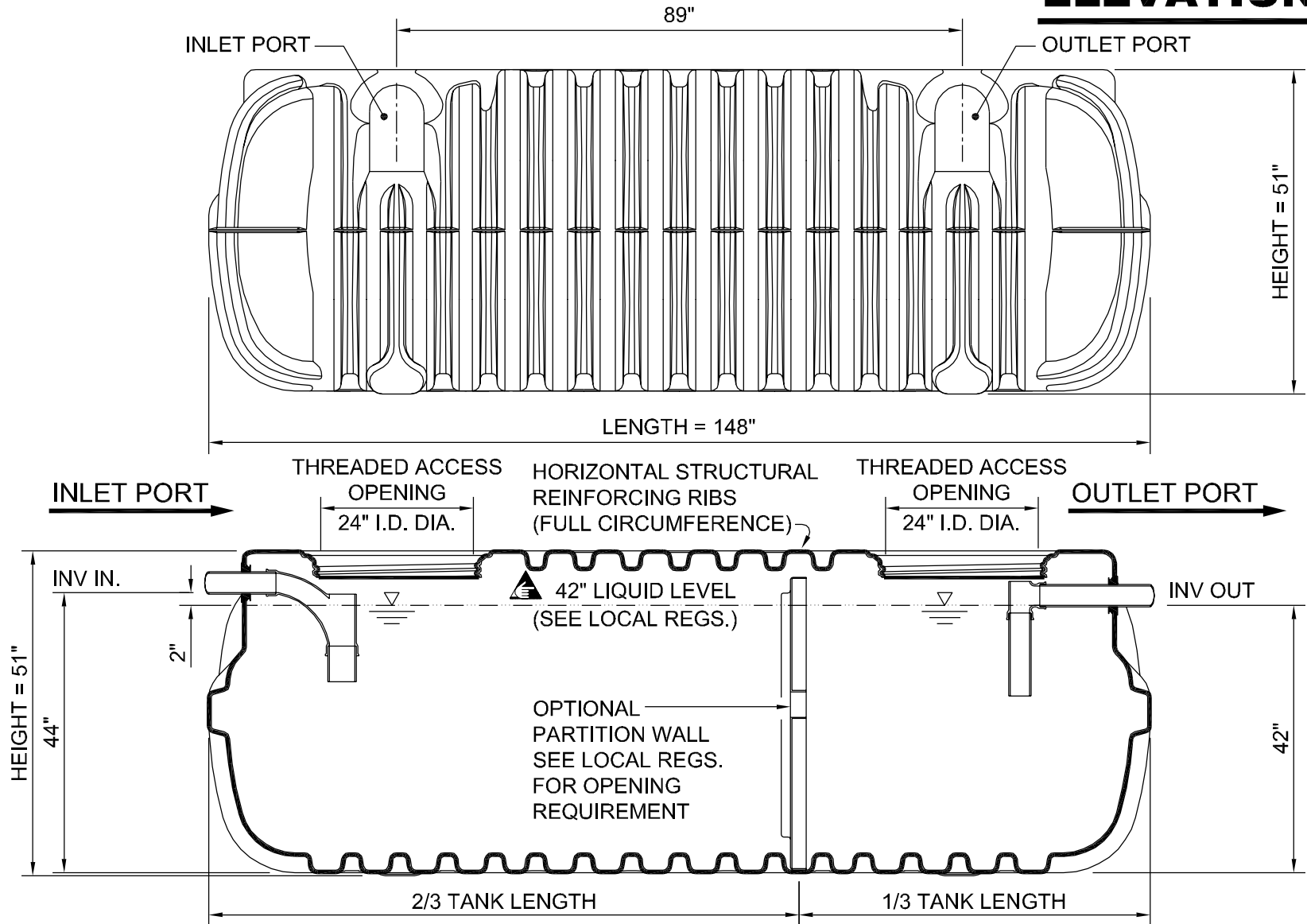
DWG SCALE: 1:1  
PLOT SCALE: 1:2  
SHEET #: 1 OF 3

**SEPTTECH™ TANK**  
**1250 GALLON / MODEL ST-1250**  
**THE NEXT GENERATION OF ONSITE WASTEWATER PRODUCTS**



FRALO PLASTECH  
One General Motors Drive  
Syracuse N.Y. 13206  
Call Toll Free 866.943.7256  
www.fralo.net

# ELEVATION



# SECTION

42" LIQUID LEVEL

DWG SCALE: 1:1

PLOT SCALE: 1:2

SHEET #: 2 OF 3

**SEPTTECH™ TANK**  
**1250 GALLON / MODEL ST-1250**  
 THE NEXT GENERATION OF ONSITE WASTEWATER PRODUCTS



FRALO PLASTECH  
 One General Motors Drive  
 Syracuse N.Y. 13206  
 Call Toll Free 866.943.7256  
 www.fralo.net

# ISOMETRIC

HORIZONTAL STRUCTURAL REINFORCING RIBS  
(FULL CIRCUMFERENCE)

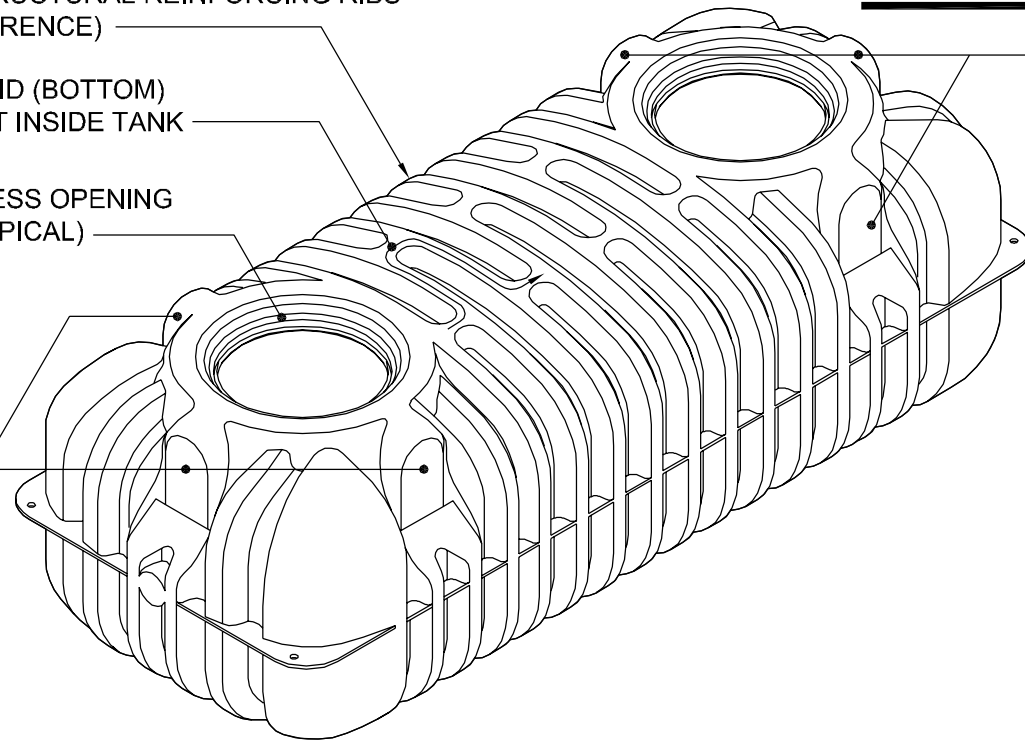
GAS (TOP) / LIQUID (BOTTOM)  
PASS-THRU SLOT INSIDE TANK

THREADED ACCESS OPENING  
24" I.D. DIA. (2 TYPICAL)

MULTI PORT  
INLETS  
(3 TYPICAL)

MULTI PORT  
OUTLETS  
(3 TYPICAL)

LIFTING  
HOLES  
(4 TYPICAL)



WARNING

## SEPTIC TANK NOTES

1. Access at or above grade level must be secured against unauthorized access.
2. Tank is not rated for vehicular traffic loading.
3. All resin used is compliant with ASTM D 1248 as required by CSA B66 and IAPMO PS 1-2004e1.
4. Tank material of construction is HMW-HDPE.
5. Primary dimensions are in inches
6. Minimum tank wall thickness is 1/4".
7. Labeling will include: manufacturer name, liquid capacity, date, maximum burial depth, and model number.
8. Riser cover contains the following: 6" x 3" warning:  
"Danger - Do not enter - Poison Gas" - written in English, French & Spanish.
9. Maximum burial depth from manufacturer is 36" unless specifically instructed otherwise by the factory.
10. Models ST-750, ST-1060, ST-1250 and ST-1500 are all certified to CSA and IAPMO standards.
11. Models ST-500, ST-900 and ST-1000E are compliant with CSA and IAPMO standards.

## NOTES

DWG SCALE: 1:1

PLOT SCALE: 1:2

SHEET #:  
3 OF 3

**SEPTTECH™ TANK**  
**1 250 GALLON / MODEL ST-1250**  
**THE NEXT GENERATION OF ONSITE WASTEWATER PRODUCTS**



FRALO PLASTECH  
One General Motors Drive  
Syracuse N.Y. 13206  
Call Toll Free 866.943.7256  
www.fralo.net