



**METAL-FAB** INC.



**BIOMASS PRODUCTS**  
BIOMASS CHIMNEY

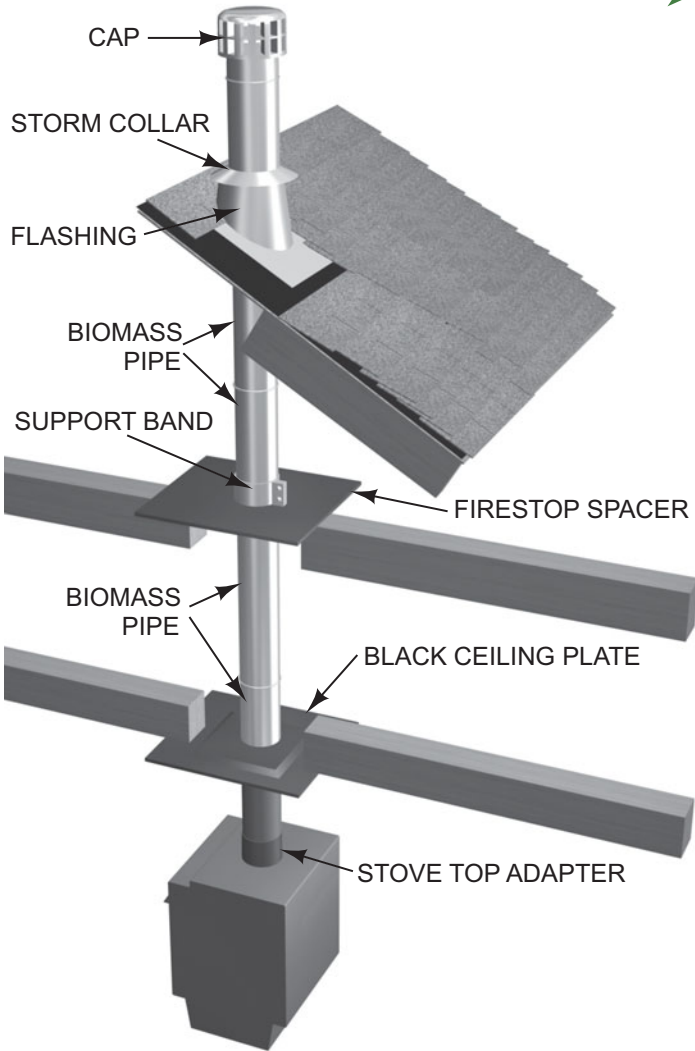
FOR USE WITH BIOMASS FUEL-FIRED APPLIANCES.

**Type L Biomass Chimney**

For use with biomass fuels such as pellet, corn, wheat or other grassy and woody plants as specified by appliance manufacturers.

- Tested and UL 641 Listed.
- Pipe and fittings in 3" and 4" diameters.
- Factory-built double wall construction, using 430 stainless steel flue and galvanized steel outer casing.
- Positive twist lock for easy assembly and disassembly without tools and without damage.
- Rope gaskets at each joint to prevent fly ash leakage.

**BIOMASS CHIMNEY INTERIOR - NO OFFSET**



**NEW**

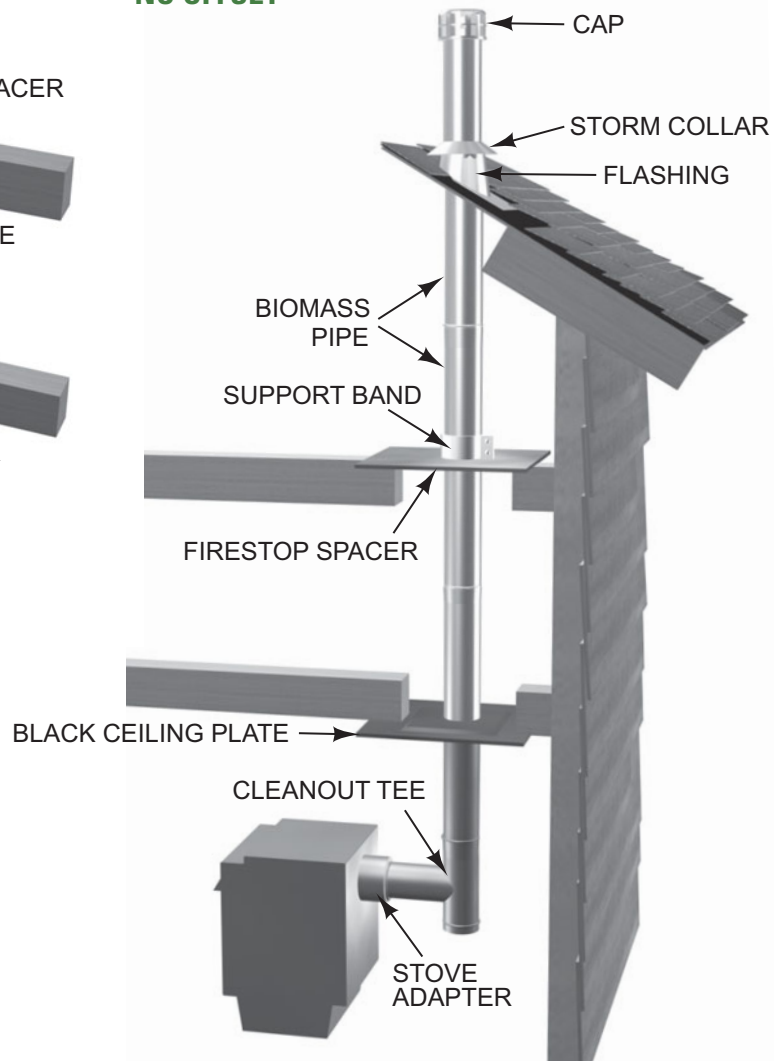
**All Biomass Chimney components are available in matte black.**

**Just add "B" to the end of the part numbers you are ordering.**

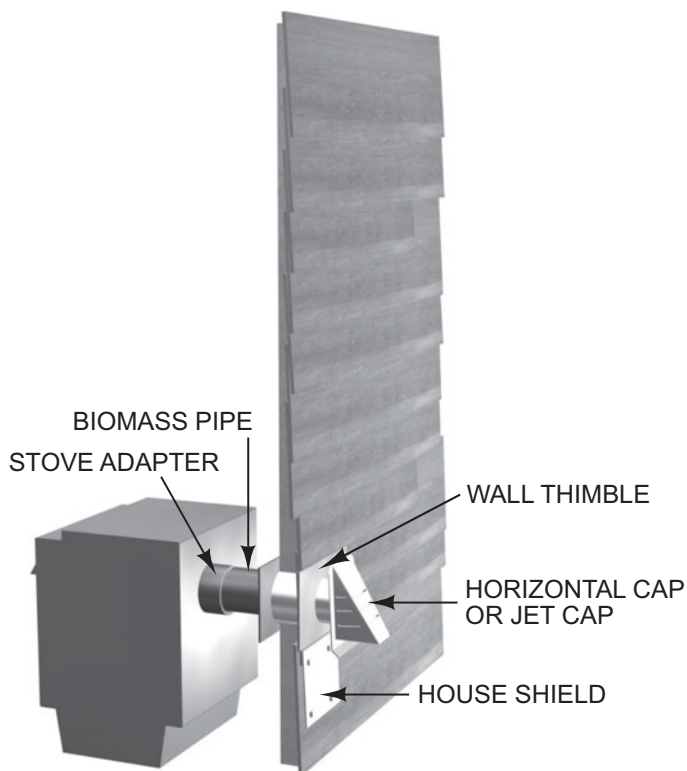
**B**

**B** Indicates available in black.

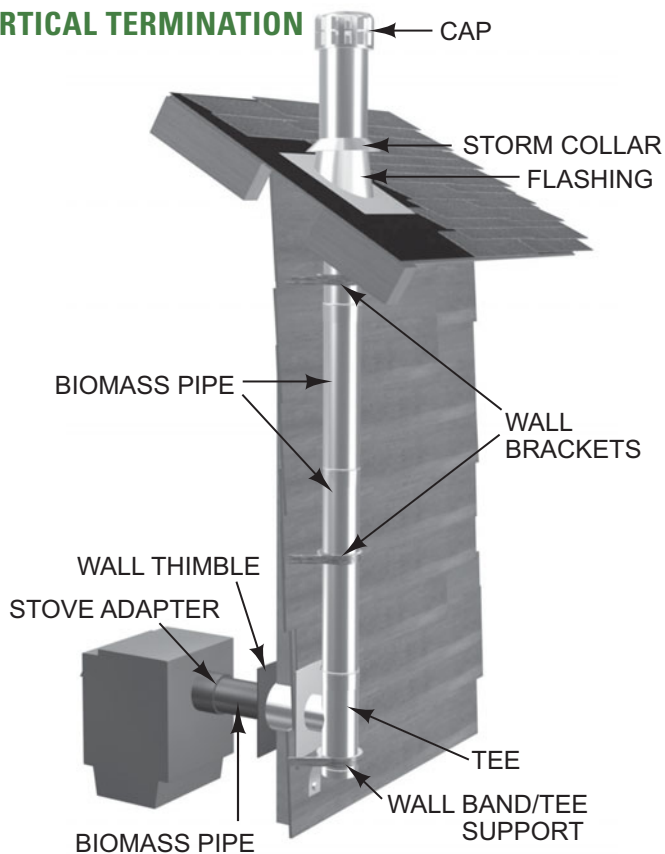
**BIOMASS CHIMNEY REAR EXHAUST INTERIOR - NO OFFSET**



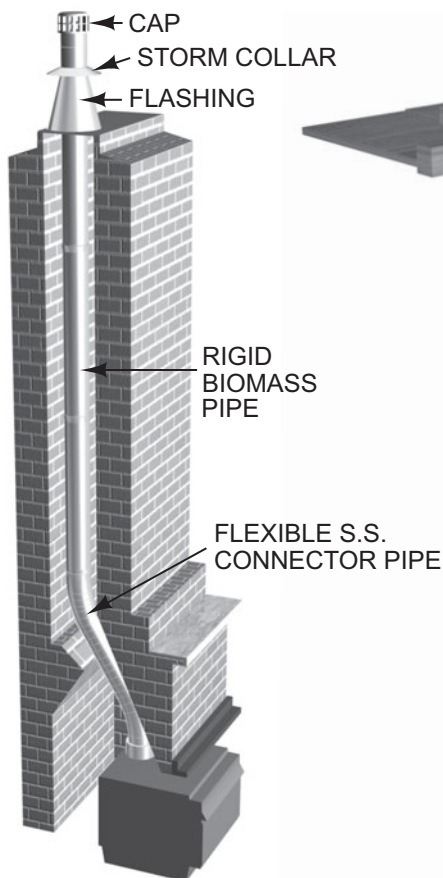
**BIOMASS CHIMNEY REAR EXHAUST EXTERIOR**



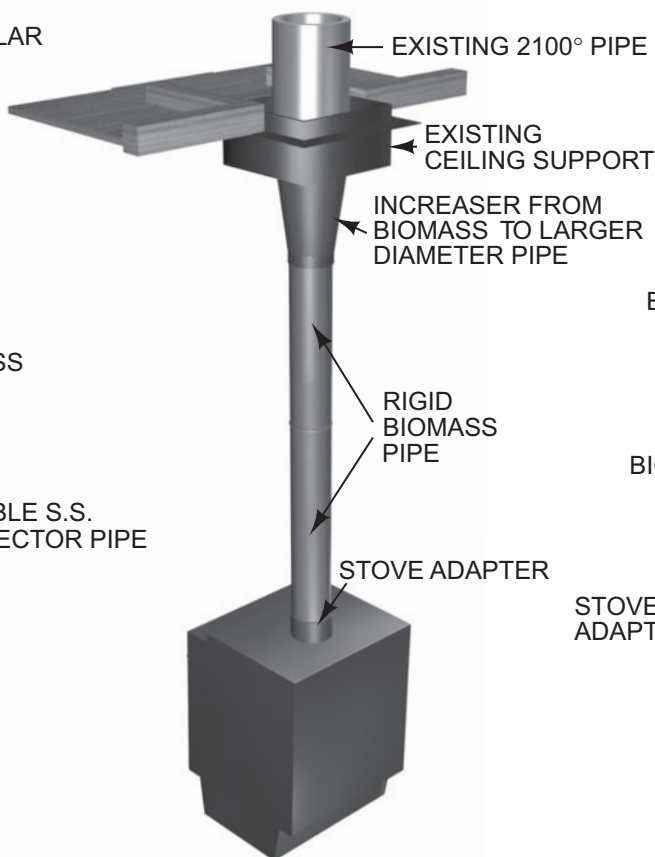
**BIOMASS CHIMNEY REAR EXHAUST EXTERIOR - VERTICAL TERMINATION**



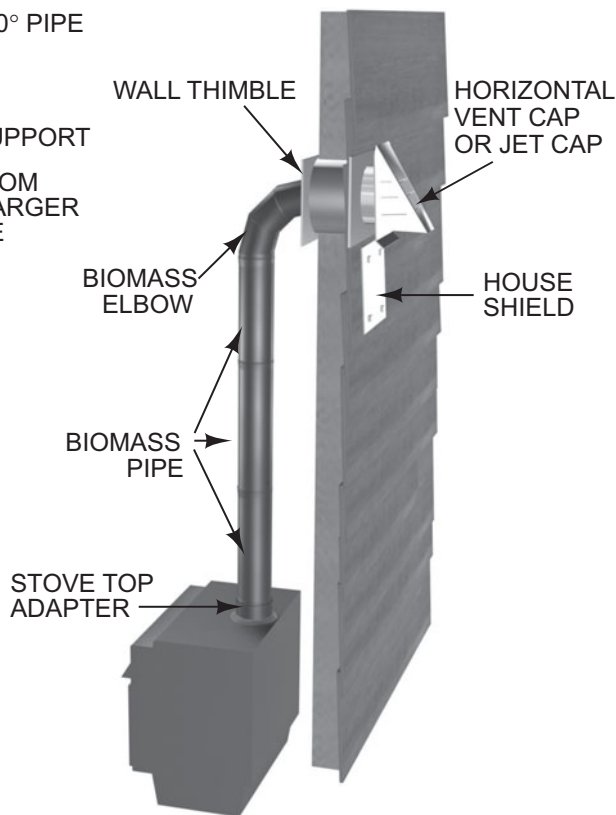
**BIOMASS CHIMNEY APPLIANCE INSERT**



**BIOMASS CHIMNEY TOP EXHAUST INTO EXISTING 2100° CHIMNEY**

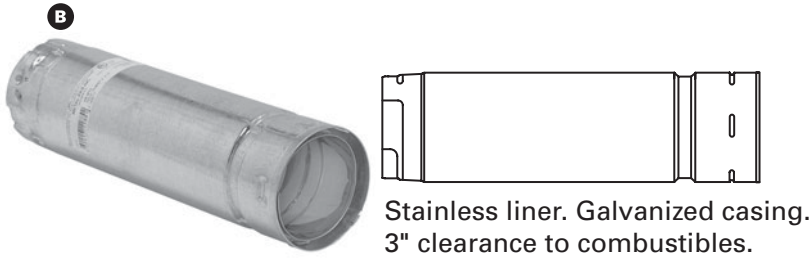


**BIOMASS CHIMNEY TOP EXHAUST - EXTERIOR**



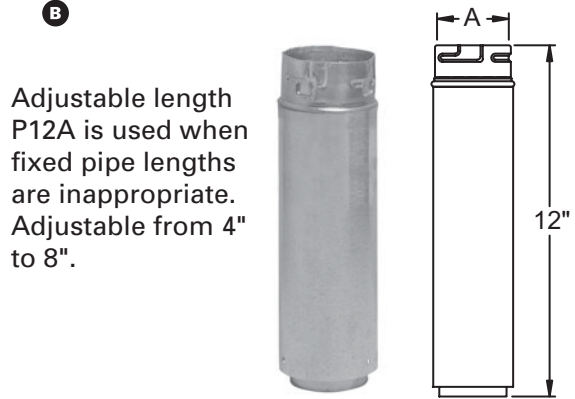
Note: Pipe overlaps 1½" when joined together. Assembled length is 1½" less than listed length.

**RIGID PIPE LENGTHS – P60, P36, P24, P12, P6**



DIA.	OD	6"	12"	24"	36"	60"
3"	3.5"	X	X	X	X	X
4"	4.5"	X	X	X	X	X

**ADJUSTABLE LENGTH PIPE – P12A**



**S.S FLEXIBLE CONNECTOR\* – PFXC**

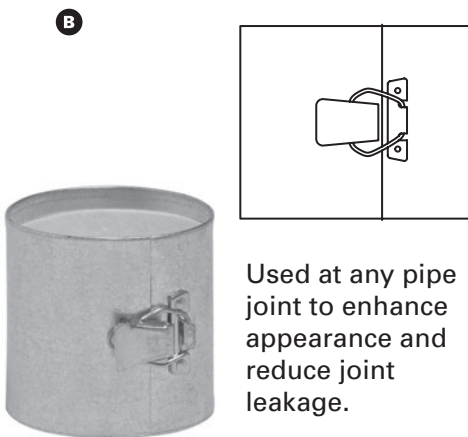
\*Contact Factory For Availability



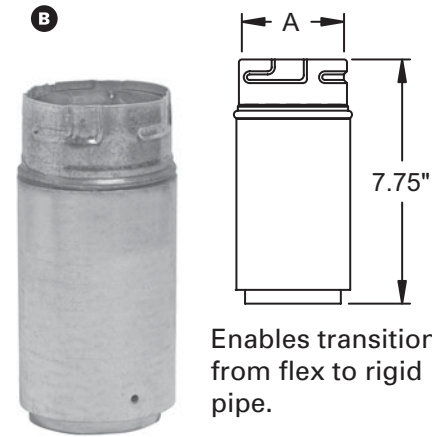
**25' S.S. FLEX COIL – PFLX**



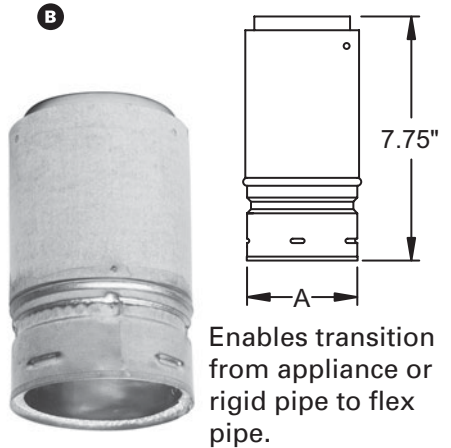
**TRIM SLEEVE – PTS**



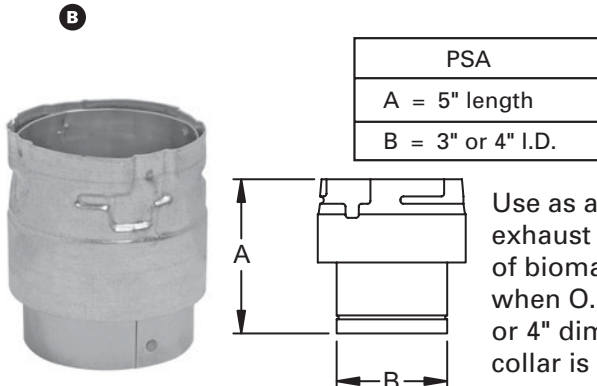
**MALE FLEX ADAPTER – P4A**



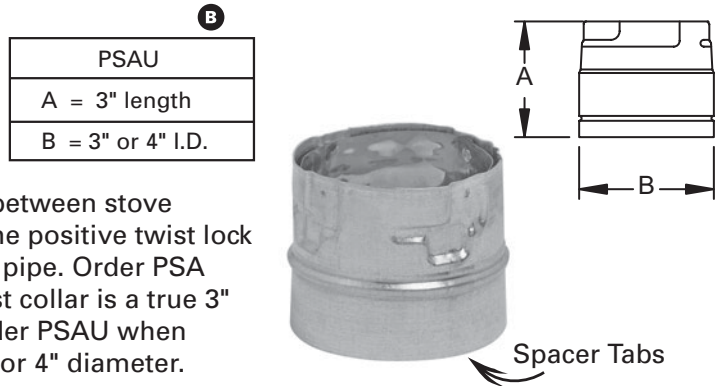
**FEMALE FLEX ADAPTER – P4FA**



**STOVE ADAPTER – STANDARD – PSA**



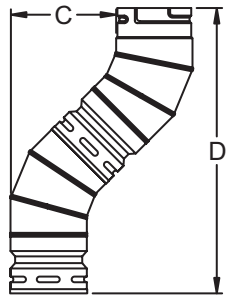
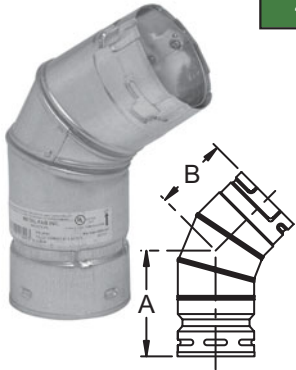
**STOVE ADAPTER – UNIVERSAL – PSAU**



**45° ELBOW – P45**

**B**

SIZE	A	B	C	D
3"	4.40	3.40	5.57	14.94
4"	4.50	3.80	5.75	15.37

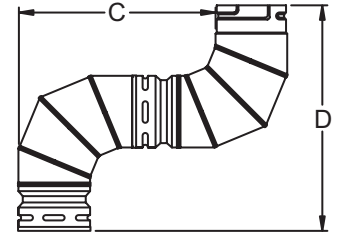
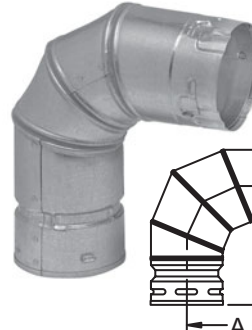


Used to obtain lateral movement around obstructions or to angle the biomass chimney towards the wall thimble. Elbows are factory sealed and are non-adjustable.

**90° ELBOW – P90**

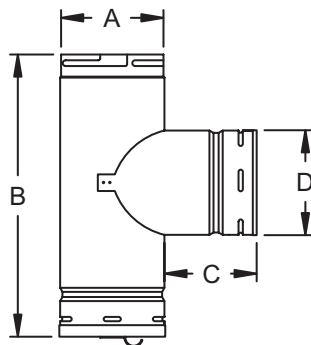
**B**

SIZE	A	B	C	D
3"	5.50	5.75	11.75	13.25
4"	6.40	6.50	12.13	13.63



**STANDARD TEE W/PULL-OFF CAP – PT**

**B**

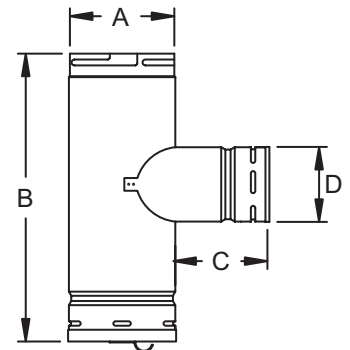


Use tee to transition from horizontal to vertical inside or to an exterior chimney that is mounted to a tee support.

SIZE	A	B	C	D
3" x 3"	3.50	9.13	3.00	3.50
4" x 4"	4.50	10.13	3.00	4.50

**REDUCED TAP TEE W/PULL-OFF CAP – 4PT3**

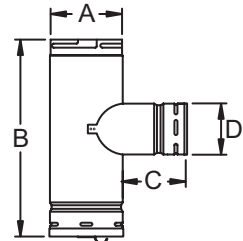
**B**



SIZE	A	B	C	D
4" x 3"	4.50	10.13	3.00	3.50

**REDUCED TAP TEE W/ADAPTER – 4PT3A**

**B**

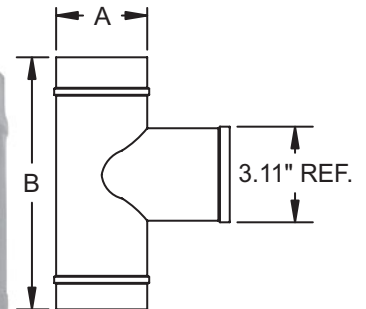


For use at the appliance. Extended flue at tap fits stove outlet.

SIZE	A	B	C	D
4" x 3"	4.50	10.13	3.00	3.50

**FLEX TEE – 3PFLXT AND 4PFLXT3**

**B**

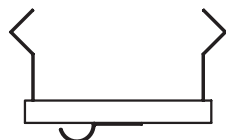
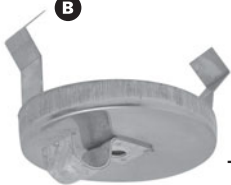


Connects appliance to S.S. pellet flex pipe.

SIZE	A	B
3"	3.11	8.75
4"	4.11	9.75

**STANDARD TEE CAP – PTC**

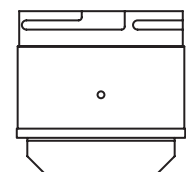
**B**



This part number applies when tee cap is sold separately.

**TWIST-OFF TEE CAP – PCTC**

**B**

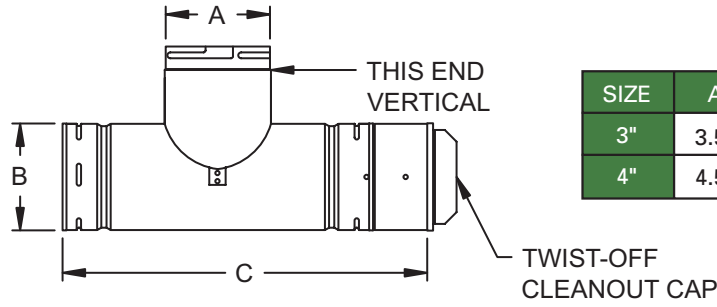


This part number applies when tee cap is sold separately.

Note: Pipe overlaps 1½" when joined together. Assembled length is 1½" less than listed length.

**HORIZONTAL CLEANOUT TEE W/TWIST-OFF TEE CAP – PCT**

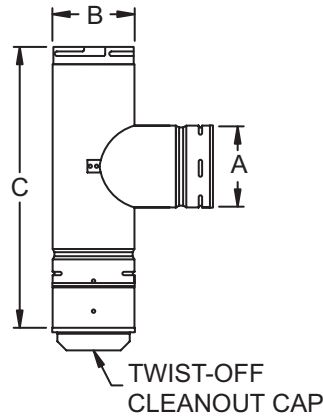
**B**



SIZE	A	B	C
3"	3.50	3.50	11.00
4"	4.50	4.50	14.12

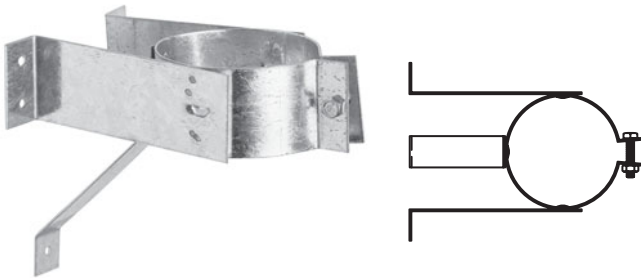
**VERTICAL CLEANOUT TEE W/TWIST OFF TEE CAP – PVCT**

**B**



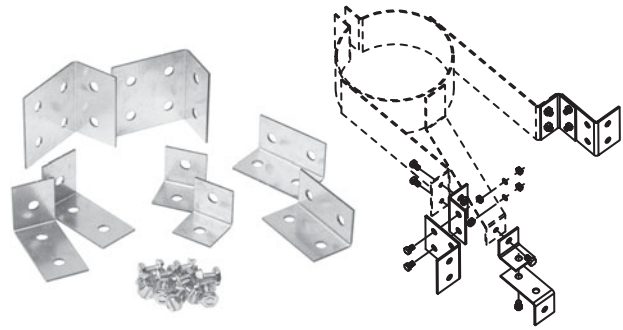
SIZE	A	B	C
3"	3.50	3.50	11.00
4"	4.50	4.50	14.12

**COMBINATION WALL BAND/TEE SUPPORT – PWBS**



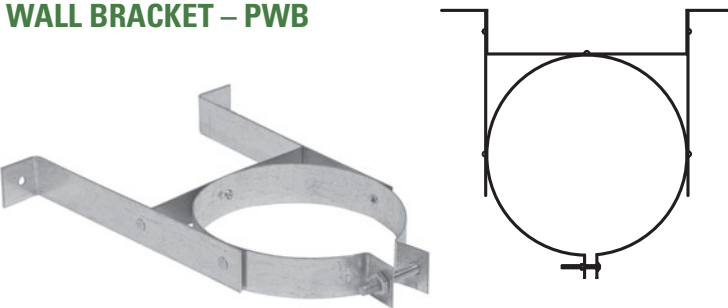
Provides exterior, vertical/lateral support for chimney. Maximum height of chimney which can be supported is 30 feet.

**SUPPORT ADJUSTMENT KIT – PWAS**



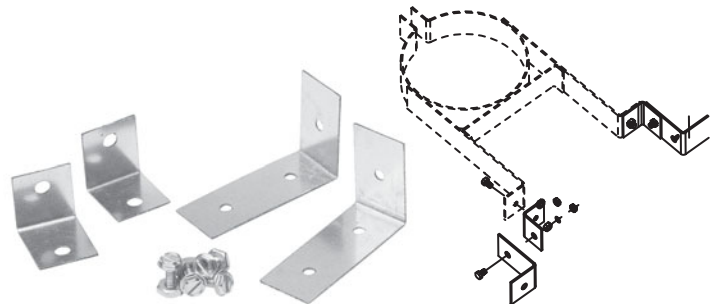
Enables adjustment of standard wall support (PWBS) from minimum 3" to maximum 5".

**WALL BRACKET – PWB**



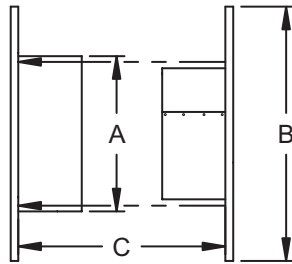
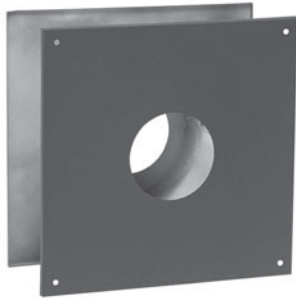
Used to provide lateral support while maintaining proper clearance. Recommended spacing is 6 ft. between bands above the starting point.

**WALL BRACKET ADJUSTMENT KIT – PWBA**



Enables adjustment of standard wall bracket (PWB) from minimum 3" to maximum 5".

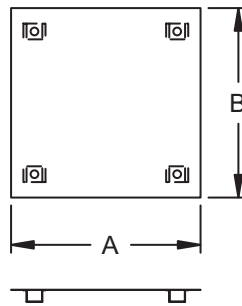
**WALL THIMBLE – PWT**



SIZE	A	B	C
3"	6.125	10.13	5.0 TO 9.5
4"	7.125	10.13	5.0 TO 9.5

Provides the proper clearance for the pellet/corn pipe when it passes through a combustible wall.

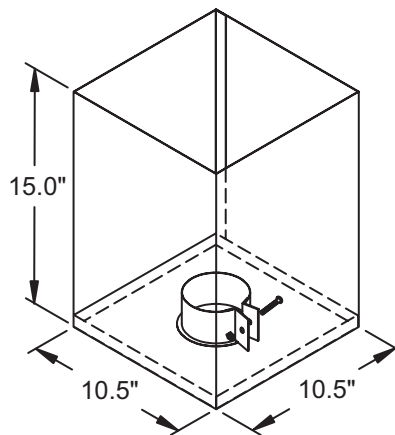
**HOUSE SHIELD – PHS**



SIZE	A	B
3"	12	18
4"	12	18

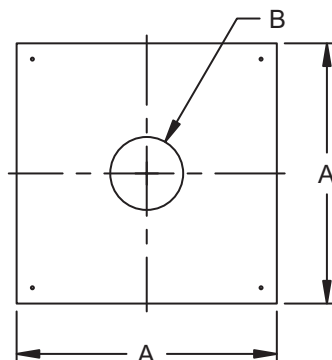
Used in horizontal vent applications to provide extra protection from discharge.

**ROOF SUPPORT – PRS**



For use on open beamed pitched roofs or ceilings. Includes trim pieces for finishing out installation. Also includes support band.

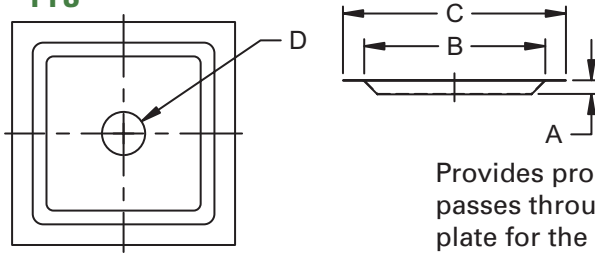
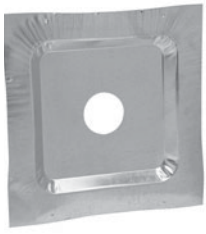
**BLACK CEILING PLATE – PCP**



SIZE	A	B
3"	17.50	3.63
4"	17.50	4.63

Used as an exposed surface trim piece where biomass chimney passes through a floor or ceiling.

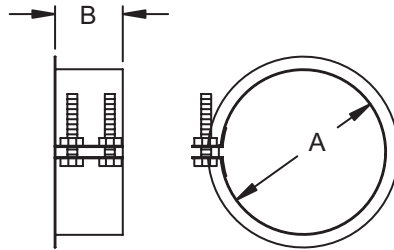
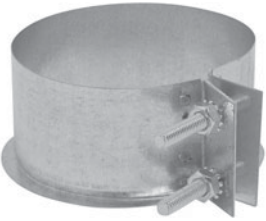
**FIRESTOP SPACER – PFS**



SIZE	A	B	C	D
3"	1.00	13.00	17.50	3.56
4"	1.00	13.00	17.50	4.56

Provides proper clearance where biomass chimney passes through a floor or the ceiling. Serves as a support plate for the support band (sold separately).

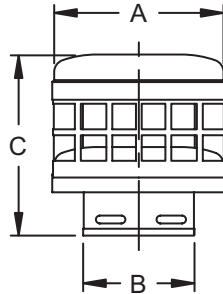
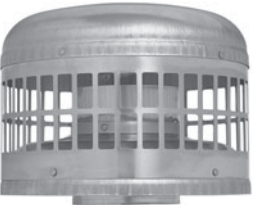
**SUPPORT BAND – PSB**



SIZE	A	B
3"	3.56	1.50
4"	4.56	1.50

Used to support the biomass chimney as it passes through the firestop spacer or roof support. This piece typically sits on top of the firestop spacer or inside the roof support.

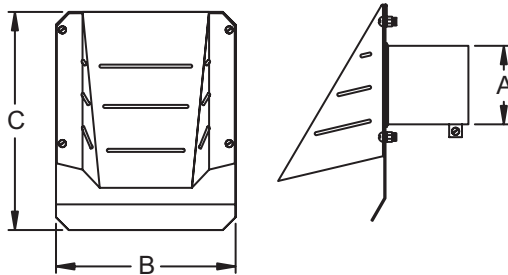
**VERTICAL VENT CAP – PRC**



SIZE	A	B	C
3"	8.25	3.00	6.75
4"	8.25	4.00	6.75

Stainless steel cap guards against rain, snow, and down drafts. Helps provide proper venting action. Attractive design enhances appearance.

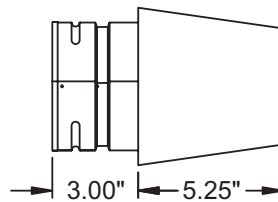
**HORIZONTAL VENT CAP – PHC**



SIZE	A	B	C
3"	3.5	7.0	10.0
4"	4.5	7.0	10.0

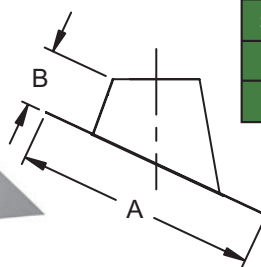
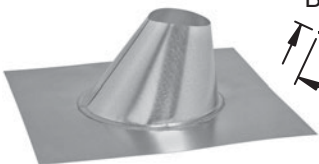
Stainless steel cap prevents entrance of rain and directs flue gasses away from house.

**HORIZONTAL JET CAP – PJC**



Jet cap directs flue gas away from house.

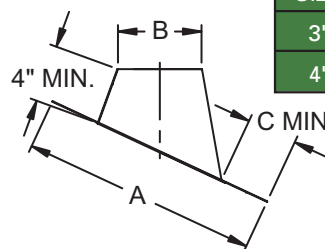
**STANDARD FLASHING – PF**



SIZE	A	B
3"	17	6
4"	17	6

Fits roof pitches from 2/12 to 5/12

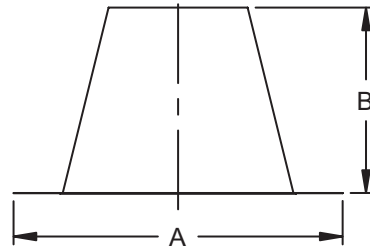
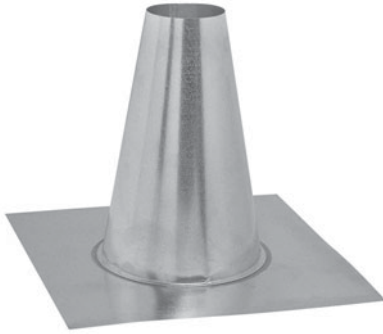
**HIGH PITCH FLASHING – PF12**



SIZE	A	B	C
3"	19.50	3.50	4.00
4"	22.50	4.50	5.75

Fits roof pitches from 6/12 to 12/12.

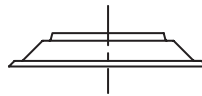
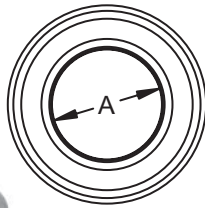
**TALL CONE FLASHING – PFT**



SIZE	A	B
3"	15.00	11.75
4"	15.00	11.75

Fits roof pitches from 0/12 to 2/12

**STORM COLLAR – PSC**

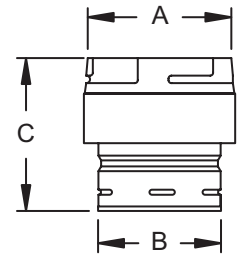


SIZE	A
3"	3.53
4"	4.53

Used in combination with the flashing to ensure water-tight installation. Slips around pipe above the flashing.

**3" to 4" INCREASER – 3P14**

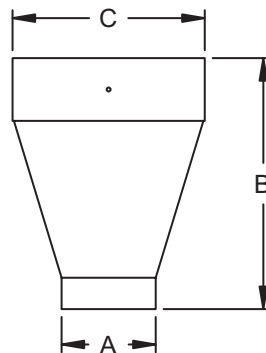
**B**



A = 4.00	B = 3.00	C = 4.75
----------	----------	----------

Provides transition from 3" to 4" diameter pipe.

**INCREASERS TO TEMP/GUARD – P6SWA AND P8SWA**



PART	A	B	C
3P6SWA	3.00	8.00	6.13
4P6SWA	4.00	8.00	6.13
4P8SWA	4.00	8.00	8.13

**VERTICAL INSTALLATION KIT – 3PVK**



Available in 3" only.  
Includes:

- Vertical Cap
- 2 Wall Bands
- Standard Tee
- Wall Band/Tee Support
- Wall Thimble
- 12" Adjustable Length
- Stove Adapter

**HORIZONTAL INSTALLATION KIT – 3PHK**



Available in 3" only.  
Includes:

- Standard Tee
- 90° Elbow
- Horizontal Cap
- Stove Adapter
- Wall Band
- Wall Thimble
- Stove Adapter

Note: Pipe overlaps 1½" when joined together. Therefore, assembled length is 1½" less than listed length.

**Metal-Fab Type "L" Vent** is tested and listed to UL 641 for venting high efficiency oil appliances with maximum flue temperatures of 570°. Double wall construction includes a galvanized exterior jacket, with a stainless inner liner. Available in diameters of 4", 5" and 6". May be used as a connector or as a complete system on oil appliances that are listed as suitable for use with Type "L" Vent.

**RIGID PIPE LENGTHS – P60, P36, P24, P12,**

\* PS60, PS36 (5" & 6" only)



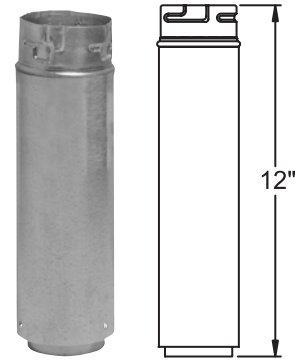
Stainless liner. Galvanized casing.  
\*Stainless liner. Stainless casing.

DIA	OD	12"	24"	36"	60"
4"	4.5"	X	X	X	X
5"	5.5"	X	X	X	X
6"	6.5"	X	X	X	X

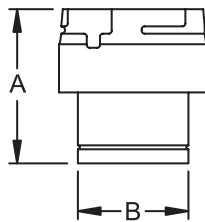
**ADJUSTABLE LENGTH PIPE – P12A**

Adjustable length P12A is used when fixed pipe lengths are inappropriate. Adjustable from 4" to 8".

Diameters  
4", 5", 6"



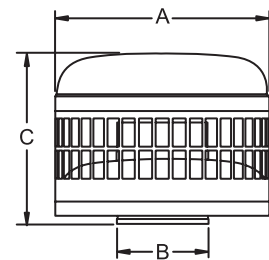
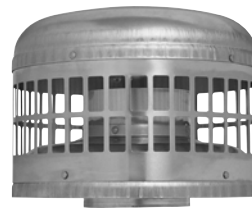
**APPLIANCE ADAPTER – PSA**



PSA
A = 5" length
B = 4", 5", & 6" I.D.

Use as a connector between appliance exhaust collar and the positive twist lock of "L" Vent pipe.

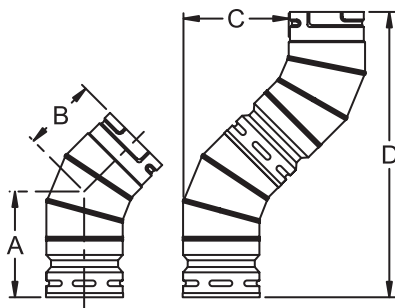
**VERTICAL VENT CAP – PRC**



SIZE	A	B	C
5"	10.00"	5.50"	6.50"
6"	12.00"	6.50"	6.50"

Stainless steel cap guards against rain, snow, and down drafts. Helps provide proper venting action.

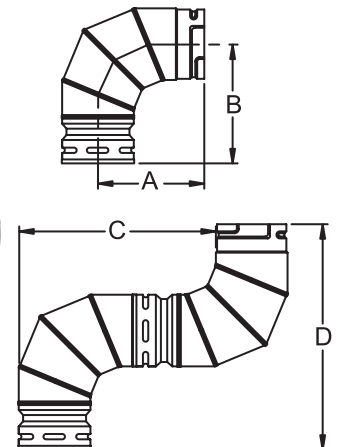
**45° ELBOW – P45  
ADJ. IN 5" & 6"  
FIXED IN 4"**



Used to obtain lateral movement around obstructions or to angle the "L" Vent pipe towards the wall thimble.

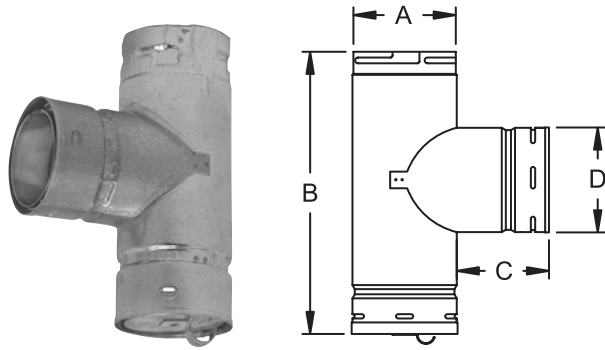
SIZE	A	B	C	D
4"	4.50"	3.80"	5.75"	15.37"
5"	5.92"	4.96"	6.63"	17.51"
6"	6.63"	4.02"	6.47"	17.12"

**90° ELBOW – P90  
ADJ. IN 5" & 6"  
FIXED IN 4"**



SIZE	A	B	C	D
4"	6.40"	6.50"	12.13"	13.63"
5"	6.17"	6.95"	10.84"	13.90"
6"	5.60"	6.95"	9.70"	13.90"

## STANDARD TEE W/PULL-OFF CAP – PT

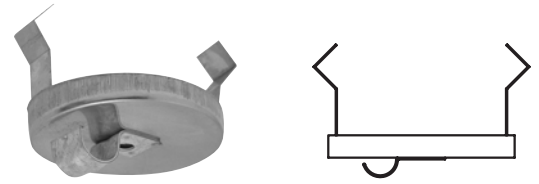


SIZE	A	B	C	D
4"	4.50"	10.13"	3.00"	4.50"
5"	5.50"	11.13"	3.00"	5.50"
6"	6.50"	12.13"	3.00"	6.50"

Use tee to transition from horizontal to vertical inside or to an exterior chimney the is mounted to a tee support.

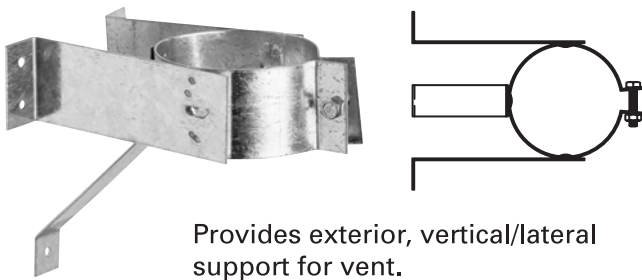
## "L" VENT FOR OIL COMPONENTS

### STANDARD TEE CAP – PTC



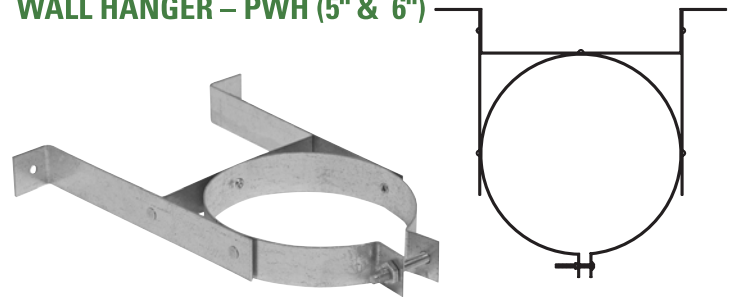
This part number applies when tee cap is sold separately.

### COMBINATION WALL BAND/TEE SUPPORT – PWBS



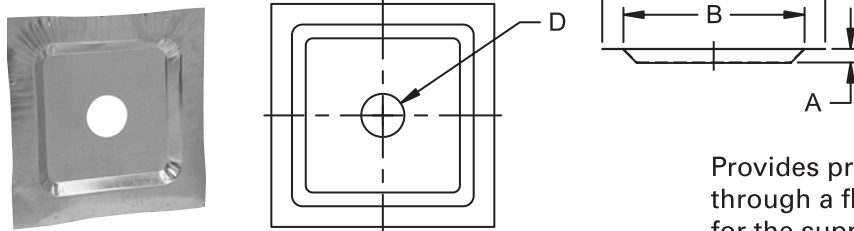
Provides exterior, vertical/lateral support for vent.

### WALL BRACKET – PWB (4") WALL HANGER – PWH (5" & 6")



Used to provide lateral support while maintaining proper clearance. Recommended spacing is 6 ft. between bands above the starting point.

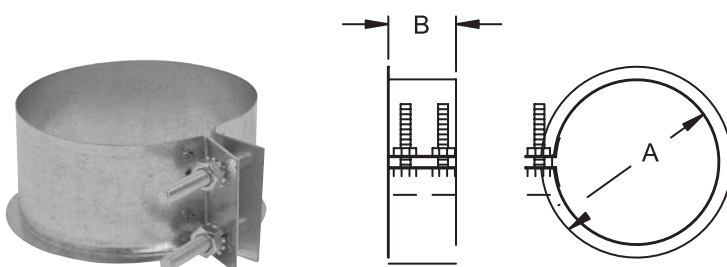
### FIRESTOP SPACER – PFS



SIZE	A	B	C	D
4"	1.00"	13.00"	17.37"	4.56"
5"	1.00"	13.00"	17.37"	5.56"
6"	1.00"	13.00"	17.37"	6.56"

Provides proper clearance where "L" Vent pipe passes through a floor or the ceiling. Serves as a support plate for the support band (sold separately).

### SUPPORT BAND – PSB

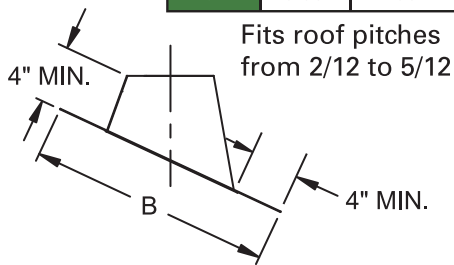


SIZE	A	B
4"	4.56"	1.75"
5"	5.56"	1.75"
6"	6.56"	1.75"

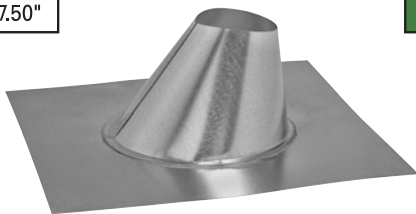
Used to support the "L" Vent pipe as it passes through the firestop spacer. This piece typically sits on top of the firestop spacer.

**STANDARD STAINLESS FLASHING – PSF**

SIZE	B	PLATE SIZE
5"	8.25"	14.62" X 14.62"
6"	9.50"	17.50" X 17.50"

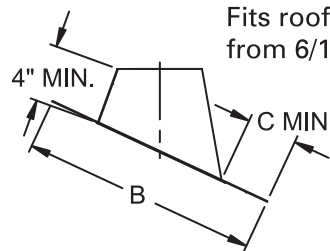


Fits roof pitches from 2/12 to 5/12



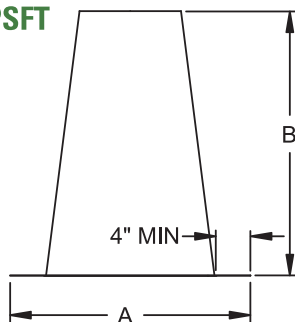
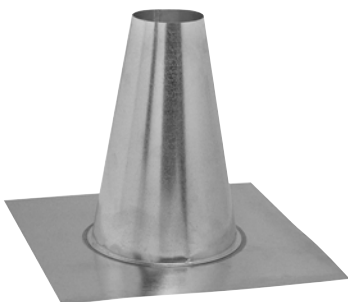
**HIGH PITCH STAINLESS FLASHING – PSF-12**

SIZE	B	C	PLATE SIZE
5"	11.68"	4.00"	20.00" X 20.00"
6"	12.50"	6.00"	21.00" X 28.00"



Fits roof pitches from 6/12 to 12/12

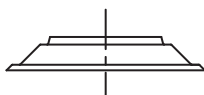
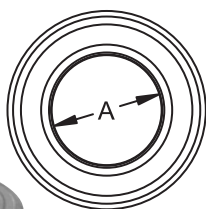
**TALL CONE STAINLESS FLASHING – PSFT**



SIZE	A	B	PLATE SIZE
5"	8.25"	11.75"	14.63" X 14.63"
6"	9.50"	11.75"	17.50" X 17.50"

Fits roof pitches from 0/12 to 2/12

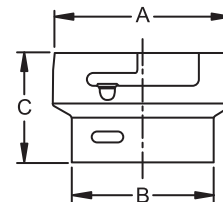
**STAINLESS STORM COLLAR – PSSC**



SIZE	A
5"	5.53"
6"	6.53"

Used in combination with the flashing to ensure water-tight installation. Slips around pipe above the flashing.

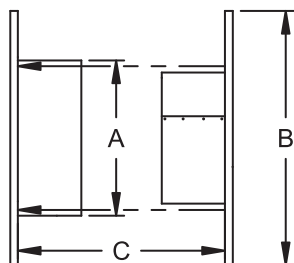
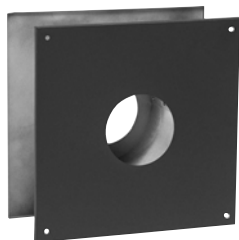
**4" to 5" INCREASER – 4PI5  
5" to 6" INCREASER – 5PI6**



SIZE	A	B	C
4" TO 5"	5.50"	4.50"	2.68"
5" TO 6"	6.50"	5.50"	2.68"

Provides transition to larger diameter pipe.

**WALL THIMBLE – PWT**



SIZE	A	B	C
4"	7.00"	13.00"	5" TO 9.5"
5"	8.00"	13.00"	5" TO 9.5"
6"	9.00"	13.00"	5" TO 9.5"

Provides the proper clearance for the "L" Vent pipe when it passes through a combustible wall.



800-835-2830