



OUTDOOR FIRE PIT MANUAL

CERTIFIED FOR USA & CANADA

Owner's Operation and Installation Manual

STANDARDS: CR97-003, CAN 1-2.21-M85, IAS U.S. 4-96

OUTDOOR GAS FIREPLACES

IMPORTANT: Read all instructions carefully before starting installation. Failure to follow these installation instructions may result in a possible fire hazard and will void the warranty



Warning

If the information in this manual is not followed exactly, a fire or explosion may result causing property damage, personal injury, or loss of life.

- Do not store or use gasoline or other flammable vapors and liquids in the vicinity of this or any other appliance.
- **WHAT TO DO IF YOU SMELL GAS**
 - Do not try to light any appliance.
 - Do not touch any electrical switch; do not use any phone in your building.
 - Immediately call your gas supplier from a neighbor's phone. Follow the gas supplier's instructions.
 - If you cannot reach your gas supplier, call the fire department.
- Installation and service must be performed by a qualified installer, service agency, or the gas supplier.

This manual must be used for installation and retained by the homeowner for operation and maintenance. Save this manual for future reference. Please contact your dealer for any questions or concerns.

Warning

Improper installation, adjustment, alteration, service, or maintenance can cause injury or property damage. Read the installation, operating and maintenance instructions thoroughly before installing or servicing this equipment.

Warning

DO NOT LEAVE FIREPIT UNATTENDED WHEN IN USE

Warning

FOR OUTDOOR USE ONLY.

Warning

DO NOT USE FOR COOKING.

Warning

The FP2085 and FP2785 Firepit is to be used only with LOGC85 log set. Do not burn wood or other materials in this appliance.

TABLE OF CONTENTS

1.0	INTRODUCTION	4
2.0	ASSEMBLY AND INSTALLATION	5
3.0	INSTALLATION IN COMBUSTIBLE ENCLOSURE	7
4.0	INSTALLING RECTANGLE FIRE PIT INTO A WOOD ENCLOSURE	8
5.0	INSTALLING WALL CLEARANCE SHIELD	9
6.0	FP2085 FIRE PIT ASSEMBLY	10
7.0	FP2785 BURNER ASSEMBLY	11
8.0	FP2785 FIREBOX & COVER ASSEMBLY	12
9.0	LOG PLACEMENT INSTRUCTIONS.....	13
10.0	OPERATING INSTRUCTIONS	14
11.0	MAINTENANCE INSTRUCTIONS	14
12.0	HIGH ELEVATION INSTALLATION	14
13.0	SAFETY INFORMATION AND LIGHTING INSTRUCTIONS	15
14.0	REPLACEMENT PARTS	16
	PRODUCT NUMBERS.....	16
	LIMITED WARRANTY POLICY	17

1.0 INTRODUCTION

Models FP2085/FP2785 are Decorative Gas Log Set for outdoor use only. This appliance **MUST NOT** be used for cooking.

WARNING: This appliance shall be used **ONLY** outdoors in a well-ventilated space and shall **NOT** be used inside a building, garage, or any other enclosed area.

WARNING: This log set must **NOT** be installed in an unvented appliance.

WARNING: THIS UNIT IS NOT FOR USE WITH SOLID FUEL.

The installation must conform with Local codes or in the absence of local codes, with the National Fuel Gas Code ANSI Z223.1 or CAN/CGA-B149.1, National Gas Installation Code or CAN/CGA-B149.2, Propane installation Code.

The appliance and its individual shut off valve must be disconnected from the gas supply piping system during any pressure testing of the system at test pressures in excess of 1/2 psig (3.5kPa).

This appliance must be isolated from the gas supply piping system by closing its individual manual shut off valve during any pressure testing of the gas supply piping system at test pressures equal to or less than 1/2 psig (3.5kPa).

For the state of Massachusetts a **T-handle gas shut-off valve** must be used on a gas appliance. This T-handle gas shut-off valve must be listed and approved by the state of Massachusetts. This is in reference to the state of Massachusetts state code CMR238.

The following clearances to combustible construction must be maintained: Bottom - 0 inches Sides (all around)-24 inches (610 mm), and Top-7 feet (2.12 m).

Always keep the appliance area clear and free from combustible materials, gasoline, and other flammable vapors and liquids.

Do not locate appliance where it can get excessively wet. Do not use this appliance if any part has been under water. Immediately call a qualified service technician to inspect the unit and to replace any part of the control system and any gas control which has been underwater.

• **Children and adults should be alerted to the hazards of high surface temperatures and should**

stay away to avoid burns or clothing ignition.

- **Young children should be carefully supervised when they are in the area of the appliance.**
- **Clothing or other flammable materials should not be hung from the appliance, or placed on or near the appliance.**
- **Any guard or other protective device removed for servicing the appliance must be replaced prior to operating the appliance.**
- **Installation and repair should be done by a qualified service person. The appliance should be inspected before use and at least annually by a qualified service person. More frequent cleaning may be required as necessary. It is imperative the control compartment, burners and circulating air passageways of the appliance be kept clean.**
- **Inspect the fuel supply connection (including the hose for LP models) before each use of the appliance.**
- **If it is evident there is excessive abrasion or wear, or the hose is cut, it must be replaced prior to the appliance being put into operation.**
- **The pressure regulator and hose assembly supplied with LP models must be used. Replacement pressure regulators and hose assemblies must be those specified in this manual.**
- **The LP gas supply cylinder used with LP models must be constructed and marked in accordance with the specifications for LP-gas cylinders of the U.S. Department of Transportation (DOT).**
- **Cylinders must be stored outdoors in a well-ventilated area out of the reach of children. Disconnected cylinders must have threaded valve plugs tightly installed and must not be stored in a building, garage or any other enclosed area.**
- **Storage of this appliance indoors is permissible only if it has been disconnected from its fuel supply (natural gas line or LP gas cylinder).**
- **The LP gas cylinder supply system must be arranged for vapor withdraws**
- **The LP -gas cylinder used must include a collar to protect the cylinder valve.**
- **When an LP model is not in use, the LP-gas must be turned off at the supply cylinder.**

2.0 ASSEMBLY AND INSTALLATION

The log set (LOGC85) and the burner assembly are shipped separately.

- A. Remove the gas log set and burner assembly and check for damage. **DO NOT** install damaged components. The logs are fragile use care when handling.
- B. Place the burner assembly on a flat, stable surface in an outdoor location such as a patio or a deck. This location must be adjacent to the gas supply line (natural gas) or LP-gas supply cylinder. NOTE: Minimum clearances to combustible construction must be maintained.

Remember, you must have easy access to the gas valve control knob AFTER the appliance is installed and connected to the gas supply.

THE ON/OFF GAS VALVE IS USED TO TURN THE BURNER ON AND OFF.

- C. **NATURAL GAS MODELS:** Connect the incoming gas supply line to the on/off gas valve of the appliance (Figure 1). Make certain **ALL** gas connections are tight, turn the on/off valve at the unit slowly to the on position and use soap water to test for leaks. **DO NOT USE AN OPEN FLAME.**

LP-GAS MODELS:

1. Make sure tank valve is in its full off position. (Turn clockwise to stop).
2. Check tank valve features to ensure it has proper external mating threads. (Tank Valve Marked: USE WITH TYPE 1)
3. Inspect hose shipped with the unit for damage. Never attempt to use damaged or plugged equipment. **See your local LP Gas Dealer for repairs.**
4. After inspecting the LP hose shipped with the unit, connect the end with the female fitting on the hose to the male fitting on the on/off gas valve at the end of the flex tube and make sure it is tight.
5. When connecting regulator assembly to the tank valve, hand tighten nut clockwise to a positive stop. **DO NOT use a wrench to tighten.** Use of a wrench may damage quick closing coupling nut and result in a hazardous condition.
6. Locate the hose out of pathways where people may trip over it or in areas where the hose may be subject to accidental damage.

7. Open tank valve fully (counter-clockwise). Turn the on/off valve at the unit slowly to the on position and use a soapy water solution to check all connections for leaks before attempting to light the appliance. If a leak is found, turn tank valve off and do not use the appliance until repairs can be made by a local LP Gas Dealer. **DO NOT attempt to make repairs yourself.**
8. **Never attempt to use this appliance or any components that have been damaged or exposed to an accidental fire.**

D. ENCLOSURES FOR LP-GAS SUPPLY SYSTEMS.

If you build an enclosure for an LP gas cylinder, follow these recommended specifications. You must also follow local codes.

Enclosures for LP-gas supply cylinders shall be ventilated by openings at the level of the cylinder valve and at floor level. The effectiveness of the opening(s) for purposes of ventilation shall be determined with the LP-gas supply cylinder(s) in place. This shall be accomplished by one of the following:

- a. One side of the enclosure shall be completely open; or
- b. For an enclosure having four sides, a top and bottom:
 1. At least two ventilation openings at cylinder valve level shall be provided in the side wall, equally sized, spaced at 180 degrees (3.14 rad), and unobstructed. Each opening shall have a total free area of not less than 1/ 2 square inch per pound (3.2 sq. cm/kg) of stored fuel capacity and not less than a total free area of 10 square inches (64.5 sq. cm).
 2. Ventilation opening(s) shall be provided at floor level and shall have a total free area of not less than 1/2 square inch per pound (3.2 sq. cm/kg) of stored fuel capacity and not less than a total free area of 10 square inches (64.5 sq. cm). If ventilation openings at floor level are in a side wall, there shall be at least two openings. The bottom of the openings shall be at floor level and the upper edge no more than 5 inches (127 mm) above the floor. The openings shall be equally sized, spaced at 180 degrees (3.14 rad) and unobstructed.
 3. Every opening shall have minimum dimensions so as

to permit the entrance of a 1/8-inch (3.2 mm) diameter rod.

Cylinder valves shall be readily accessible for hand operation. A door on the enclosure to gain access to the cylinder valves is acceptable, provided it is non-locking and can be opened without the use of tools.

There shall be a minimum clearance of 2 inches (50.8 mm) between the lower surface of the floor of the LP-gas supply cylinder enclosure and the ground.

The design of the enclosure shall be such that (1) the LP-gas supply cylinder(s) can be connected, disconnected and the connections inspected and tested outside the cylinder enclosure; and (2) those connections which could be disturbed when installing the cylinder(s) in the enclosure can be leak tested inside the enclosure.

Be certain to mount or set the LP-gas cylinder on a flat stable surface and retain it to prevent it from tipping.

E. Purge the gas supply line of any trapped air prior to the first firing of the unit.

WARNING: During the initial purging and subsequent lightings, NEVER allow gas valve to remain "OPEN" position without first placing a burning match on the top of the burner.

F. Place the logs on the burner assembly. See log placement instructions.

G. Test fire the unit after referring to the **SAFETY INFORMATION and LIGHTING INSTRUCTIONS** found in Section 13 of this manual.

H. **Do not leave the burner on with the cover on.**

I. If LP-Gas outdoor firepits are used continuously after a couple of hours, you could see the possibility of the flame decreasing in size. If this happens, turn off the control valve and the tank valve and wait a couple of hours before lighting again or switch propane tanks. The propane tank is freezing up due to the volume of gas being taken out of the tank.

Warning

DO NOT LEAVE FIREPIT UNATTENDED WHEN IN USE

GAS SPECIFICATIONS

	FP2085N FP2785N	FP2085LP FP2785LP
Fuel	Natural Gas	Liquid Propane
Maximum Supply Pressure	10 IN. W.C./2.47 KPa	13 IN. W.C./3.24 KPa

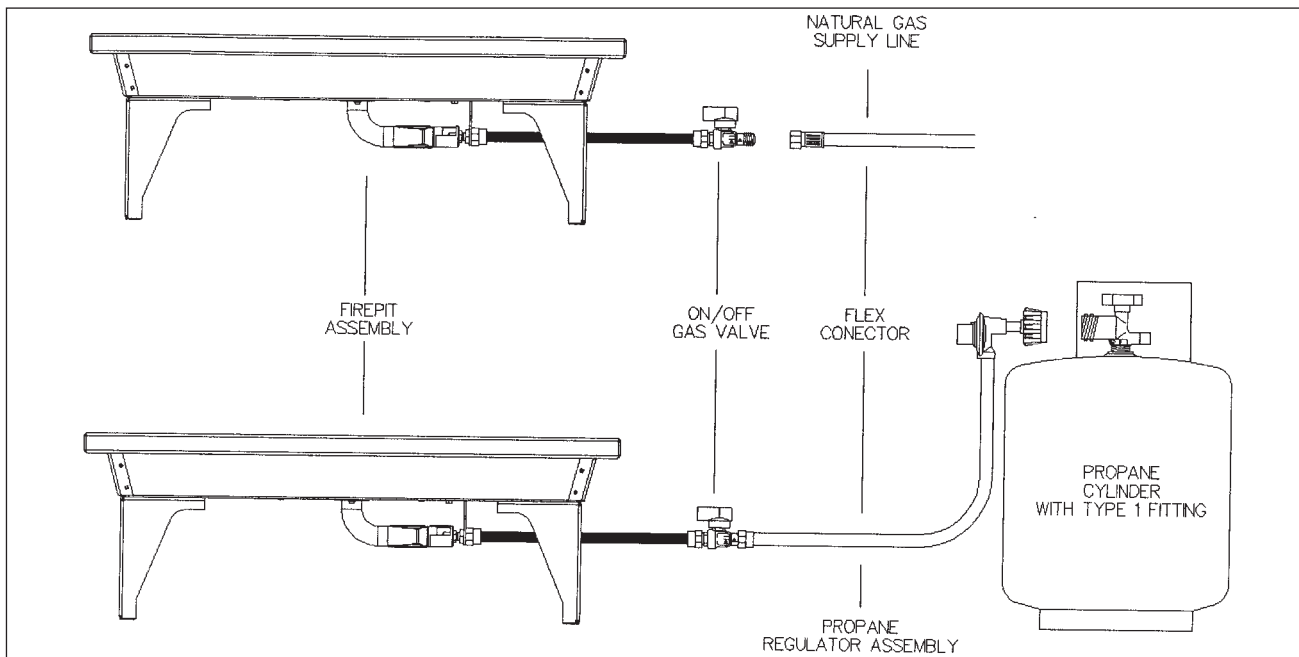


Figure 1

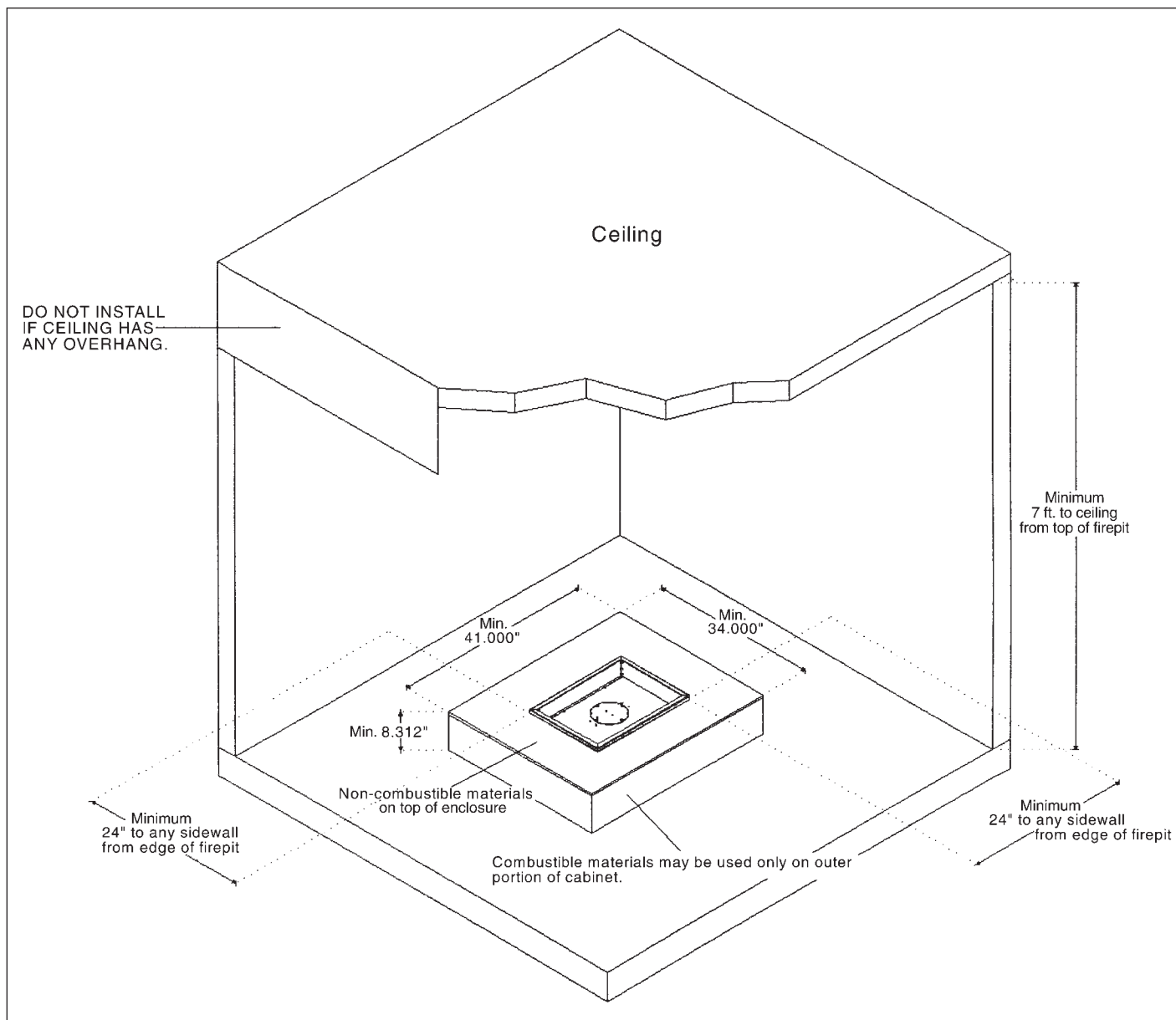
3.0 INSTALLATION IN COMBUSTIBLE ENCLOSURE

CLEARANCES FOR ROUND FIREPIT (FP2085)

1. The round firepit (FP2085) cannot be built into a combustible cabinet of any type. Only non-combustible materials may be placed around firepit. (eg. bricks, concrete, river rock, etc.)
2. Clearance to combustible side wall is 24" minimum. Non-combustible walls 14" to side wall.
3. Minimum clearance to any ceiling with no overhang is to be 7 feet from top of firepit.
4. Clearance to a combustible floor is 0".

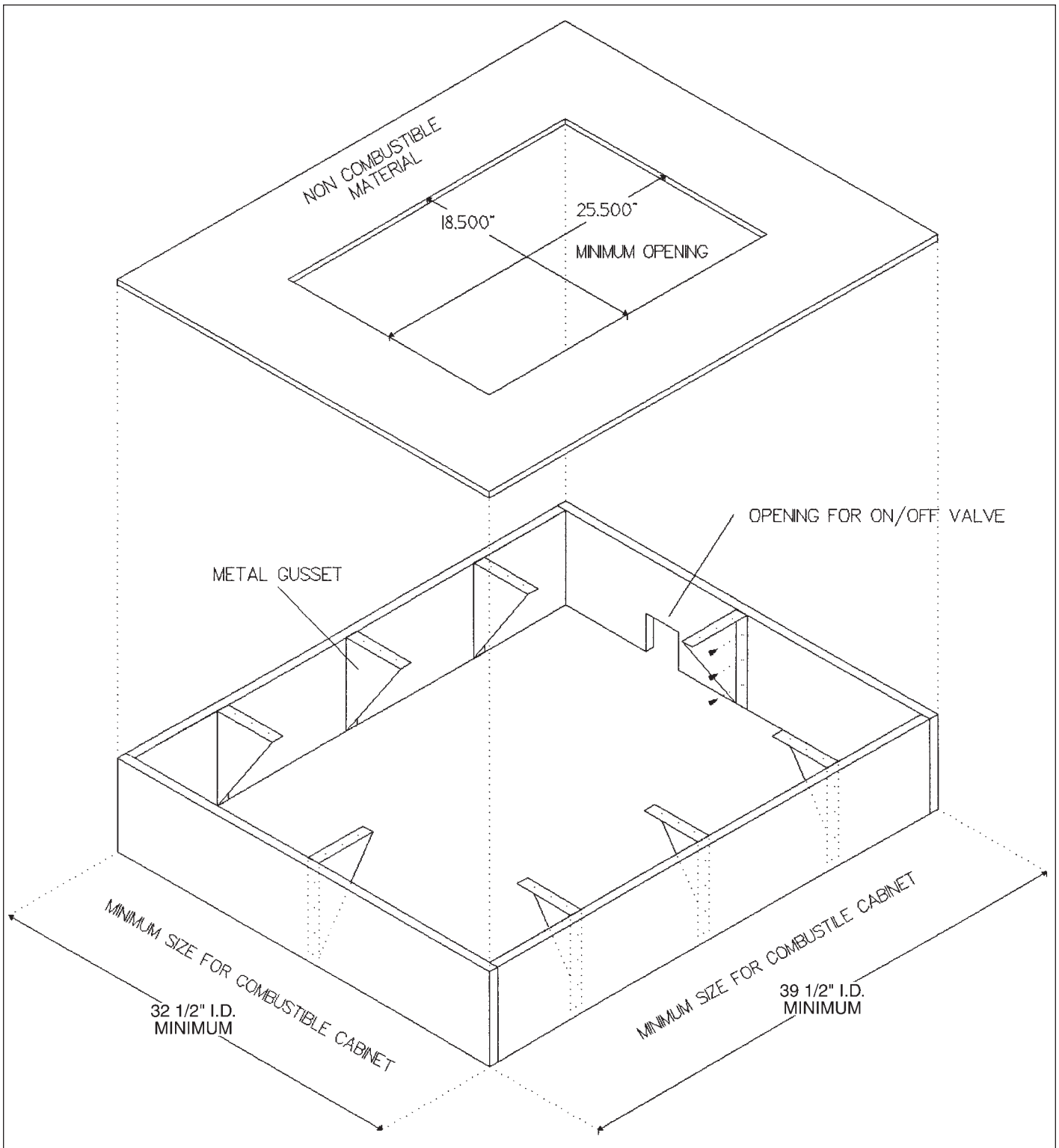
CLEARANCES FOR RECTANGLE FIREPIT (FP2785)

1. The rectangle firepit (FP2785) may be built into a combustible enclosure. You must maintain minimum enclosure dimensions of 32¹/₂" x 39¹/₂" I.D. The top of enclosure must be of a non-combustible material such as concrete board or wonder board.
2. Clearance to combustible side wall is 24" minimum. Non-combustible walls 14" to side wall.
3. Minimum clearance to any ceiling with no overhang is to be 7 feet from top of firepit.
4. Clearance to a combustible floor is 0".
5. See Section 4.0 for assembly of enclosure.



4.0 INSTALLING RECTANGLE FIREPIT INTO A WOOD ENCLOSURE

1. Minimum size of wood enclosure must be no less than 32.5" I.D. x 39.5" I.D.
2. Non-combustible material (eg. Wonder Board) for the top of enclosure must be used, along with using metal gussets.
3. Non-combustible materials such as tile or brick may be used to finish on top of Wonder Board. Do not use any combustible materials to finish top, eg. wood or plastic products.
4. You must have an opening in the enclosure to have access to the on/off valve.



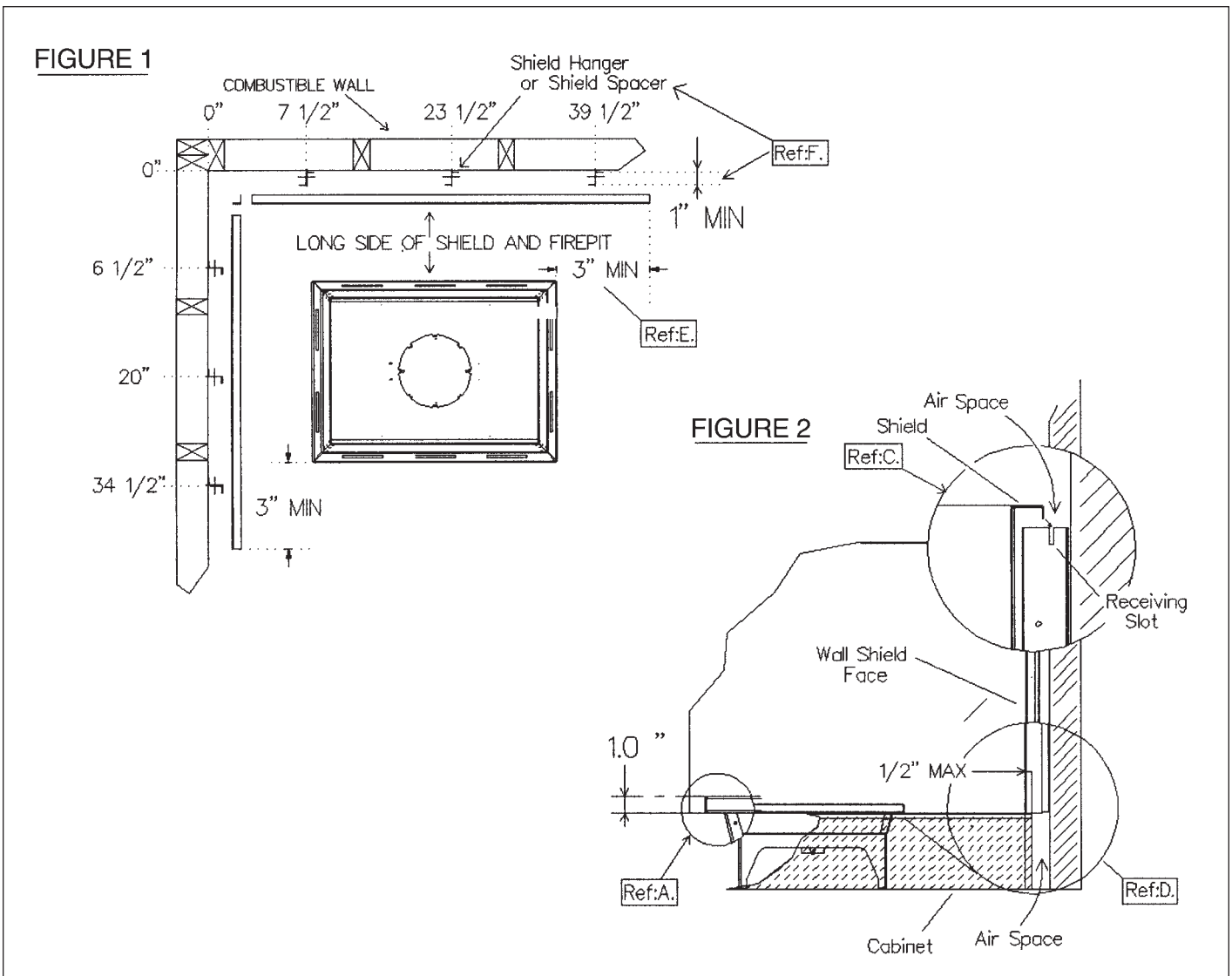
5.0 INSTALLING WALL CLEARANCE SHIELD

NON-COMBUSTIBLE CORNER CLEARANCE SHIELD

- Using a non-combustible material (eg. Wonder Board) cut two shields, 1 Large 44" x 30" min. and 1 Small 37" x 30" min.
- Mount six 1" non-combustible spacers to wall, this will maintain a 1" air space behind shields Fig:1Ref:F. Non-combustible spacer (eg. Metal Bracket, Wonder Board) should be no wider than 1" and 30" long.
- Screw non-combustible shield to spacer. Shield must be placed 1" below top of firepit Fig:2-Ref:D. Inside corners of shields should not touch combustible wall. Shield must extend 3" past end of firepit Fig:1-Ref:E.
- Note: Firepit cabinet or other structures must NOT obstruct wall shield air space on ends, top or bottom. If a cabinet is built around firepit, the end face of cabinet must not extend past bottom face of clearance shield by more than 1/2" Fig:2-Ref::D.

SINGLE CLEARANCE SHIELD

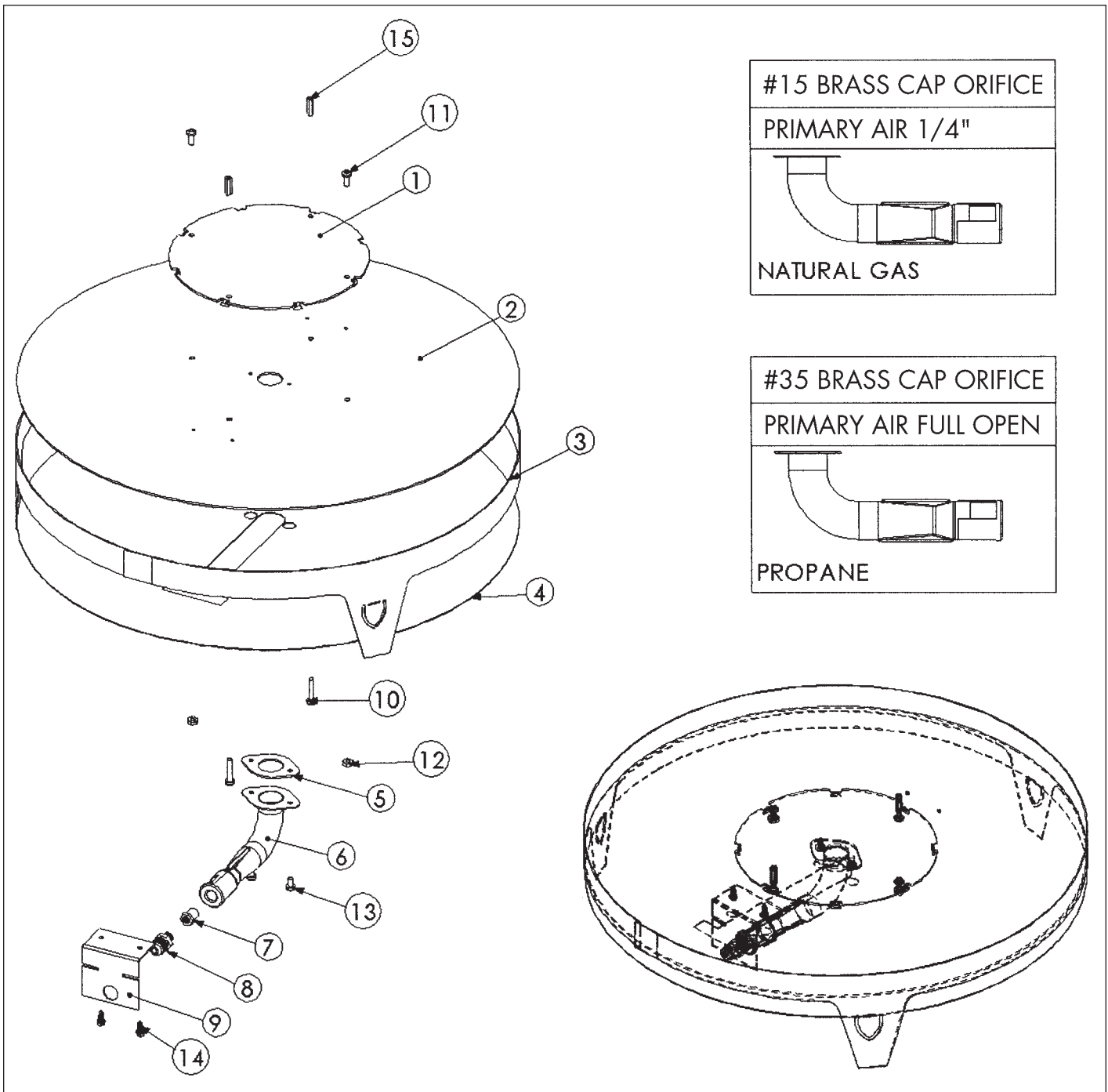
- Side of unit must be more than 24" from a combustible wall for a single shield to be used, and can have a distance of no less than 14" to a wall shield.
- All specifications as in corner installation must be used, including shield must extend a minimum of 3" past sides of firepit Fig:1-Ref:E.



6.0 FP2085 FIREPIT ASSEMBLY

Item No.	Qty.	Part No.	Description
1	1	27FP-106	Burner
2	1	20FP-102	Burner Pan
3	1	20FP-101	Frame
4	1	20FP-103	Heat Shield
5	1	27FP-115	Gasket
6	1	27FP-200	Mixing Tube Asm
	1	27FP-201	
	1	4000-208	
	1	Air Shutter	

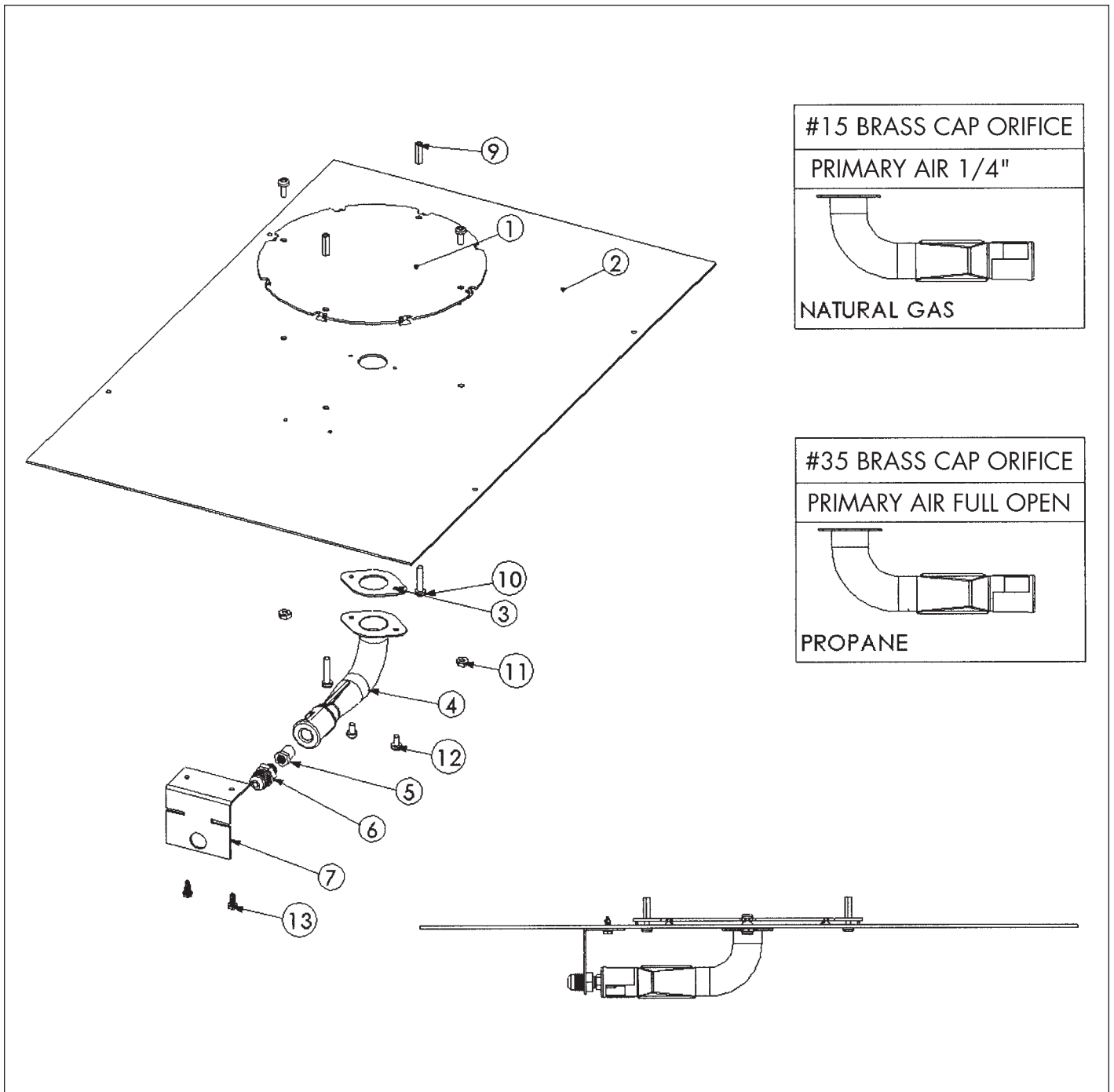
Item No.	Qty.	Part No.	Description
7	1	1000-255	Orifice
8	1	125 x 375 Flare	
9	1	27FP-104	Orifice Retainer
10	2	8-32 x 1.00 Screw	
11	2	10-32 x .500 Screw	
12	2	10-32 Locknut	
13	2	8-18 x .312 TC Screw	
14	2	8-18 x .500 DT Screw	
15	2	8-32 Locator Pin	



7.0 FP2785 BURNER ASSEMBLY

Item No.	Qty.	Part No.	Description
1	1	27FP-106	Burner
2	1	27FP-105	Burner Pan
3	1	27FP-115	Gasket
4	1	27FP-200	Mixing Tube Asm
	1	27FP-201	
	1	4000-208	
	1	Air Shutter	
5	1	1000-255	Orifice

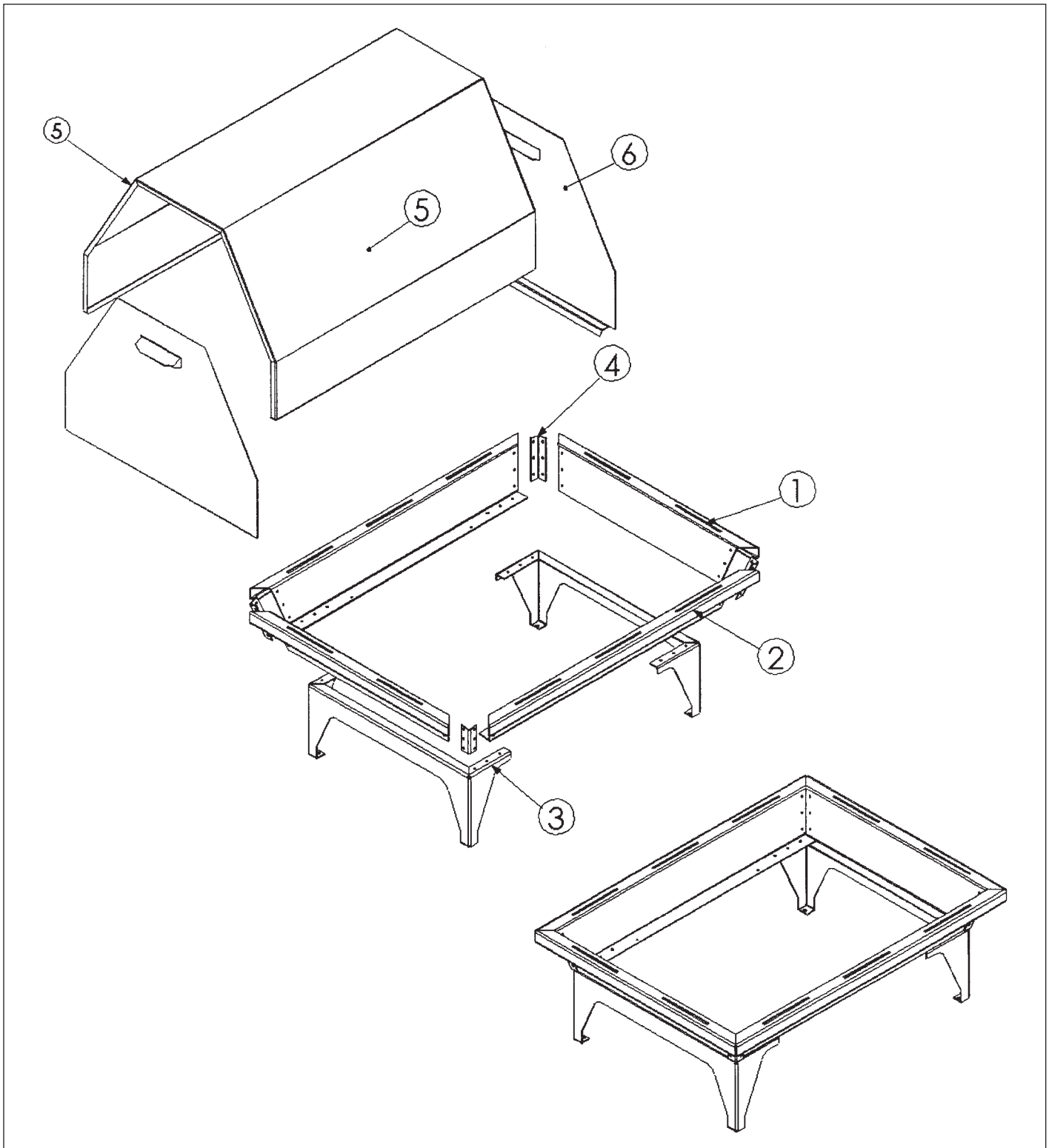
Item No.	Qty.	Part No.	Description
6	1	125 x 375 Flare	
7	1	27FP-104	Orifice Retainer Brkt
8	2	10-32 x .500 Screw	
9	2	8-32 Locator Pin	
10	2	8-32 x 1.00 Screw	
11	2	10-32 Locknut	
12	2	8-18 x .312 TC Screw	
13	2	8-18 x .500 TC Screw	



8.0 FP2785 FIREBOX & COVER ASSEMBLY

Item No.	Qty.	Part No.	Description
1	2	27FP-102	End Frame
2	2	27FP-103	Front & Back Frame
3	2	27FP-107	Leg Assembly
4	4	27FP-108	Corner Bracket

Item No.	Qty.	Part No.	Description
5	1	27FP-113	Cover Body
6	2	27FP-114	Cover End Plate



9.0 LOG PLACEMENT INSTRUCTIONS

After setting up your model and hooking up the gas connection, make sure that logs are not broken. Identify the logs using the pictures below and place logs as indicated, lining up with mounting pegs in logs.

STEP 1



STEP 2



STEP 3



STEP 4



STEP 5



This picture depicts the typical flame pattern of this burner system.

10.0 OPERATING INSTRUCTIONS

Upon completing the gas line connection, a small amount of air will be in the lines. When first lighting the burner, it will take a few minutes for the lines to purge themselves of this air. Once the purging is complete, the burner will light and operate as indicated in the instruction manual. Subsequent lighting of the appliance will not require such purging.

WARNING: Read and follow the Safety and Lighting Instructions page in this manual and on labels on the appliance. **IF YOU DO NOT FOLLOW THESE INSTRUCTIONS PRECISELY, A FIRE OR EXPLOSION MAY RESULT AND YOU MAY BE SERIOUSLY INJURED!**

11.0 MAINTENANCE INSTRUCTIONS

1. The appliance should be inspected before initial use and inspected and cleaned at least annually by a qualified field service person.
2. Tampering is **DANGEROUS** and voids all warranties. Any component that is found to be faulty, must be replaced with an approved component.
3. To obtain proper operation, it is imperative that the burner flame characteristics are steady, not lifting or floating. Check the burner flame patterns with Section 9, Step 5.
4. Periodically remove the logs and examine the burner. If dirty, clean with a soft brush. Also examine the area around the burner air shutter. Any dirt or lint in this area should be removed. This will ensure long life and trouble free operation. Re-install the logs as shown in the log placement instructions. When the appliance is put back in service, check the burner flame patterns with Section 9, Step 5.
5. Periodically check the hose connecting the LP-gas cylinder to ensure it is not damaged in any way.

12.0 HIGH ELEVATION INSTALLATION

U.L. Listed gas fireplaces are tested and approved for elevations from 0 to 4,500 feet in Canada and U.S.A.

When installing this fireplace at an elevation above 4,500 feet (in Canada), check with local authorities.

Consult your local gas utility for assistance in determining the proper orifice for your location.

13.0 SAFETY INFORMATION AND LIGHTING INSTRUCTIONS

FOR YOUR SAFETY READ BEFORE LIGHTING

WARNING: If you do not follow these instructions exactly, a fire or explosion may result causing property damage, personal injury or loss of life.

- A. This appliance must be lit by hand. When lighting, follow these instructions exactly.
- B. Before LIGHTING, smell all around the appliance area for gas. Be sure to smell next to the floor, because some gas is heavier than air and will settle on the floor.
- C. Use only your hand to turn the gas control knob or valve. Never use tools. If the valve will not turn by hand, don't try to repair it, call a qualified service technician. Force or attempted repair may result in a fire or explosion.

WHAT TO DO IF YOU SMELL GAS

- Do not try to light any appliance.
 - Do not touch any electric switch; do not use any phone in your building.
 - Immediately call your gas supplier from a neighbours phone. Follow the gas suppliers instructions.
- D. Do not use this appliance if any part has been underwater. Immediately call a qualified service technician to inspect the appliance, and to replace any part which has been underwater.

LIGHTING INSTRUCTIONS

1. STOP! Read the safety information above.
2. Remove the top cover.
3. Find the manual gas control valve.
4. Place a burning match on top of burner in the middle where ports are present. DO NOT HOLD THE MATCH IN HAND. For Natural Gas unit turn on the on/off valve slowly at the unit. For LP unit turn the valve on the LP tank counter-clockwise all the way and then turn on the on/off valve slowly at the unit.
5. If the burner does not light before the match goes out, immediately turn the gas to off.
6. Wait at least five (5) minutes to clear out any gas. If you have unsuccessfully tried to light the burner, wait longer. Then smell for gas, including near the floor. If you smell gas, STOP! Follow "B" in the safety information above. If you don't smell gas, repeat step 4.

TO TURN OFF GAS APPLIANCE

1. Turn the on/off valve to the off position at the unit for natural gas unit. For LP unit, turn the on/off valve to the off position at the unit and then turn the valve on the LP tank to the off position clockwise.
2. Replace the top cover.

14.0 REPLACEMENT PARTS - FP2085/FP2785

When requesting service or replacement parts for your fireplace, please provide model number and serial number. All parts listed in this manual may be ordered from an authorized dealer.

Product Numbers

Number	Description
	KINGSMAN FIRE PITS: Listed for Canada and USA
FP2085N	Round 20" Diameter - 77,500 BTU - Natural Gas
FP2085LP	Round 20" Diameter - 82,000 BTU - Liquid Propane
FP20COV	Cover for Round Fire Pit
FP2785N	Rectangular 27" x 20" - 77,500 BTU - Natural Gas c/w Cover
FP2785LP	Rectangular 27" x 20" - 82,000 BTU - Liquid Propane c/w Cover

LOG SET: (Required for each Fire Pit)

LOGC85	Log Set - Four piece Cast oak
--------	-------------------------------

KINGSMAN FIRE PITS REPLACEMENT PARTS

Part Number	Description
27FP-900FF	LP REG & 5FT HOSE (I4T60GRQC)
27FP-901FF	MANOMETER VALVE (BVTM5042-6)
27FP-902FF	SS GAS CONNECTOR 16" (ACS-375-16)
27FP-903FF	SS GAS CONNECTOR 22" (ACS-375-22)
27FP-P904FF	BRASS CONNECTOR 48-6A
1000-255	BRASS ORIFICE
27FP-115	GASKET

Kingsman Industries Gas Firepit – Limited Warranty

Save this certificate. It gives you specific legal rights, and you may also have other rights which may vary from state to state.

In the event your unit needs servicing contact your dealer or contractor who installed or service your unit. When requesting service, please have the model and serial number from each unit readily available. If your dealer needs assistance, the distributor is available for support and we, in turn support the distributor's efforts.

Fill in the installation date and model and serial numbers of the unit in the space provided below and retain this limited warranty for your files.

GENERAL TERMS

This limited warranty applies only while the unit remains at the site of the original installation and only if the unit is installed inside the continental United States, Alaska, Hawaii. The warranty applies only if the unit is installed and operated in accordance with the printed instructions and in compliance with applicable installation, building codes and good trade practices.

During the first year after installation, we will provide a replacement for any component part of your unit found to be defective in materials or workmanship. All replacement parts will be warranted for the unused portion of the component's warranty. The part to be replaced must be returned to our distributor in exchange for the replacement part.

In lieu of providing a replacement part, we may, at our option, provide the distributor's component purchase price from us or a credit equal to the distributor's component purchase price from us toward the purchase of any new unit which we distribute. If a credit is given in lieu of a replacement part, the rating plate from the unit being replaced must be submitted on a warranty claim and the unit being replaced must be made available to our distributor for disposition.

In establishing the date of installation for any purpose including determination of the starting date for the term of this limited warranty, reasonable proof of the original installation date must be presented*, otherwise the effective date will be based upon the date of manufacture plus thirty (30) days.

Any labor, material, freight and/or handling charges associated with any repair or replacement pursuant to this limited warranty will be your responsibility. In this warranty the word "installation" means original installation.

We will not be responsible for and you the user will pay for: (a) damages caused by accident, abuse, negligence, misuse, riot, fire, flood, or Acts of God (b) damages caused by operating the unit where there is a corrosive atmosphere containing chlorine, fluorine, or any other damaging chemicals (other than in a normal residential environment) (c) damages caused by any unauthorised alteration or repair of the unit affecting its stability or performance (d) damages caused by improper matching or application of the unit or the unit's components (e) damages caused by failing to provide proper maintenance and service to the unit (f) any expenses incurred for erecting disconnecting or dismantling the unit (g) parts or supplies used in connection with service or maintenance (h) damage repairs, inoperation or inefficiency resulting from faulty installation or application (i) electricity or fuel costs or any increase in electricity or fuel cost whatsoever including additional or unusual use of supplemental electric heat.

We shall not be liable for any incidental, consequential, or special damages or expenses in connection with any use or failure of this unit. We have not made and do not make any representation or warranty of fitness for a particular use or purpose and there is no implied condition of fitness for a particular use or purpose. We make no express warranties except as stated in this limited warranty. No one is authorised to change this limited warranty or to create for us any other obligation or liability in connections with this unit. Any implied warranties shall last for one year after the original installation. Some states and provinces do not allow the exclusion or limitation of incidental or consequential damages or do not allow limitations on how long an implied Warranty or condition lasts so the above limitations or exclusions may not apply to you. The provisions of this limited warranty are in additions to and not a modification of or subtraction from an statutory warranties and other rights and remedies provided by law.

Model No.: _____ Serial No.: _____

Date Installed: _____

*To receive advantage of your warranty, you must retain the original records that can establish the installation date of your unit.